



超高速包缝机 ZJ900T系列

SUPER HIGH-SPEED OVERLOCK SEWING MACHINE

使用说明书 零件手册 OPERATION MANUAL PARTS BOOK

中国·中捷缝纫机股份有限公司
ZOJE SEWING MACHINE CO., LTD.

地址: 浙江玉环大麦屿开发区
ADD: DAMAIYU ZONE, YUHUAN, ZHEJIANG, 317604 CHINA
免费咨询电话: TEL: 800-857-6715

中国·中捷缝纫机股份有限公司
ZOJE SEWING MACHINE CO., LTD.

目 录

CONTENTS

■ 在使用之前 BEFORE OPERATING	页码
○ 台板加工图 Schematic diagram of the machine	1
○ 供油 Lubrication	2
○ 手动给油 Manual lubrication	3
○ 给HR装置供油 Filling the HR device with silicon oil	4
○ 穿线的方法 Threading	5
■ 试缝 TEST SEWING	
○ 压脚压力的调节 Adjusting the presser foot pressure	6
○ 差动比的调节 Adjusting the diff.feed ratio	7
○ 上送布牙前后量的调节 Adjusting the top feed front-to-back motion	8
○ 上送布牙压力的调节 Adjusting the top feed pressure	9
○ 针脚长度的调节 Adjusting the stitch length	10
○ 线状态的调节 Adjusting the thread tension	11
■ 使用中的保养 MAINTENANCE DURING USE	
○ 缝纫机的清扫 Cleaning the machine	12
○ 换针 Replacing the needle	13
○ 检查机油的循环 Checking the oil circulation	14
○ 检查油质量, 更换油 Checking and replacing the oil filter	15
○ 换机油 Replacing the oil	16
○ 下刀片的更换 Replacing the lower knife	17
■ 各部件零件 ALL PARTS OF THE COMPONENTS	18



为了安全

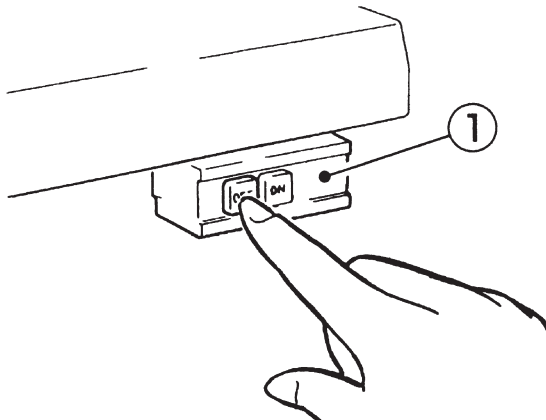
对于缝纫机本身各种装置，我们充分考虑到它的安全性。请遵照基本的操作方法，安全的进行工作。

- 拆除为保证安全所设置的装置，零件的情况下使用，是非常危险的，请绝对不要拆除后使用。
- 缝纫机在使用时，请不要在缝纫机台板上放置工具及缝纫时不必要的物品。
- 在对缝纫机进行检修、调节、清扫、穿线、换针等工作时，为防止发生事故，务必请切断电源，在确认即使踩下缝纫机踏板，缝纫机也不转动之后，再进行操作。

注意

使用离合式马达的情况下，在关掉电源①后因惯性作用会继续旋转。这时如不注意踩动缝纫机踏板②时，缝纫机会突然动作，这是很危险的。

请在关掉电源后，仍继续踩动踏板②，直至缝纫机完全停下来为止。



- 在离开缝纫机台时，务必请关掉电源。
- 停电时也请务必关掉电源。
- 为了总是安全地，运转良好的使用缝纫机，日常的点检是不可缺少的，请予以注意。



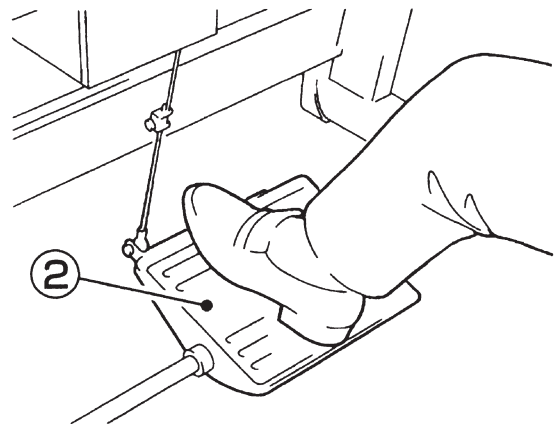
OBSERVE THESE SAFETY PRECAUTIONS

Though Our takes the utmost care to produce safe sewing machines and devices, operators should follow these basic safety rules.

- To prevent accidents, do not remove safety devices or parts while operating the machine.
- Do not leave tools or other unnecessary objects on the machine table while operating the machine.
- Before maintenance, adjusting, cleaning, threading or replacing the needle, and to prevent accidents, be sure the power is turned off. Check that the machine will not operate when the pedal is pressed.

Note

In case a clutch type motor is used, it will keep on rotating by inertia after turning off power supply. ① If the machine pedal ② is stepped on inadvertently, it is dangerous because the machine will move unexpectedly. Keep on stepping on the pedal ② until the machine comes to a stop after turning off power supply.



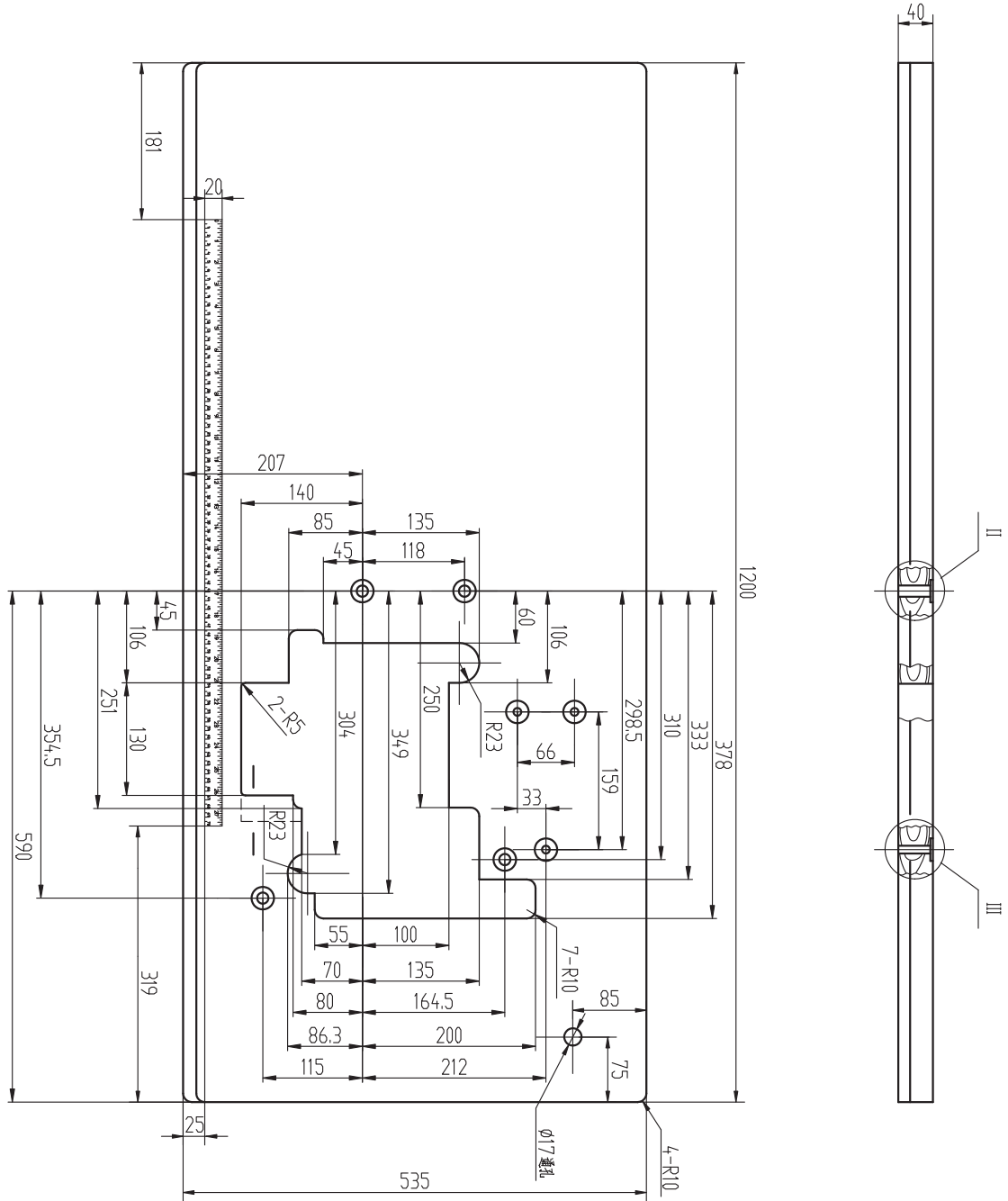
- Turn the power off before leaving the machine table.
- In the event of a power failure, be sure to turn the machine off.
- Check that the machine is securely grounded.

台板加工图

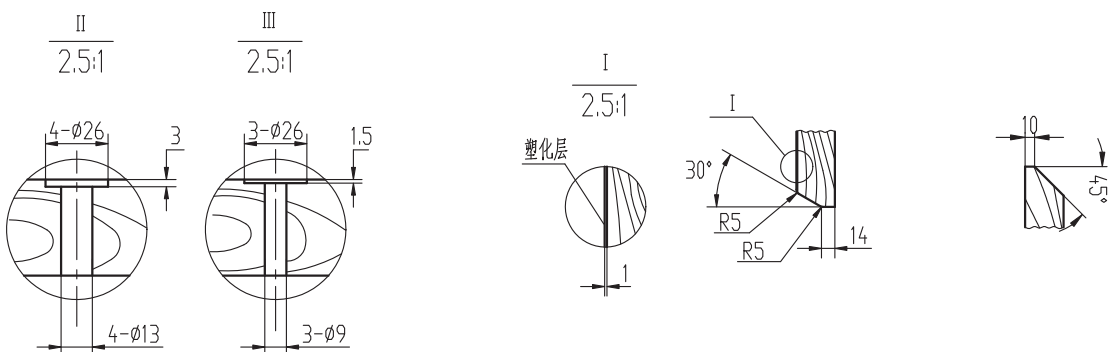
Schematic diagram of the machine table

请参照下图进行台板的加工

Cut the table referring to the diagram



标准尺寸
Standard dimension

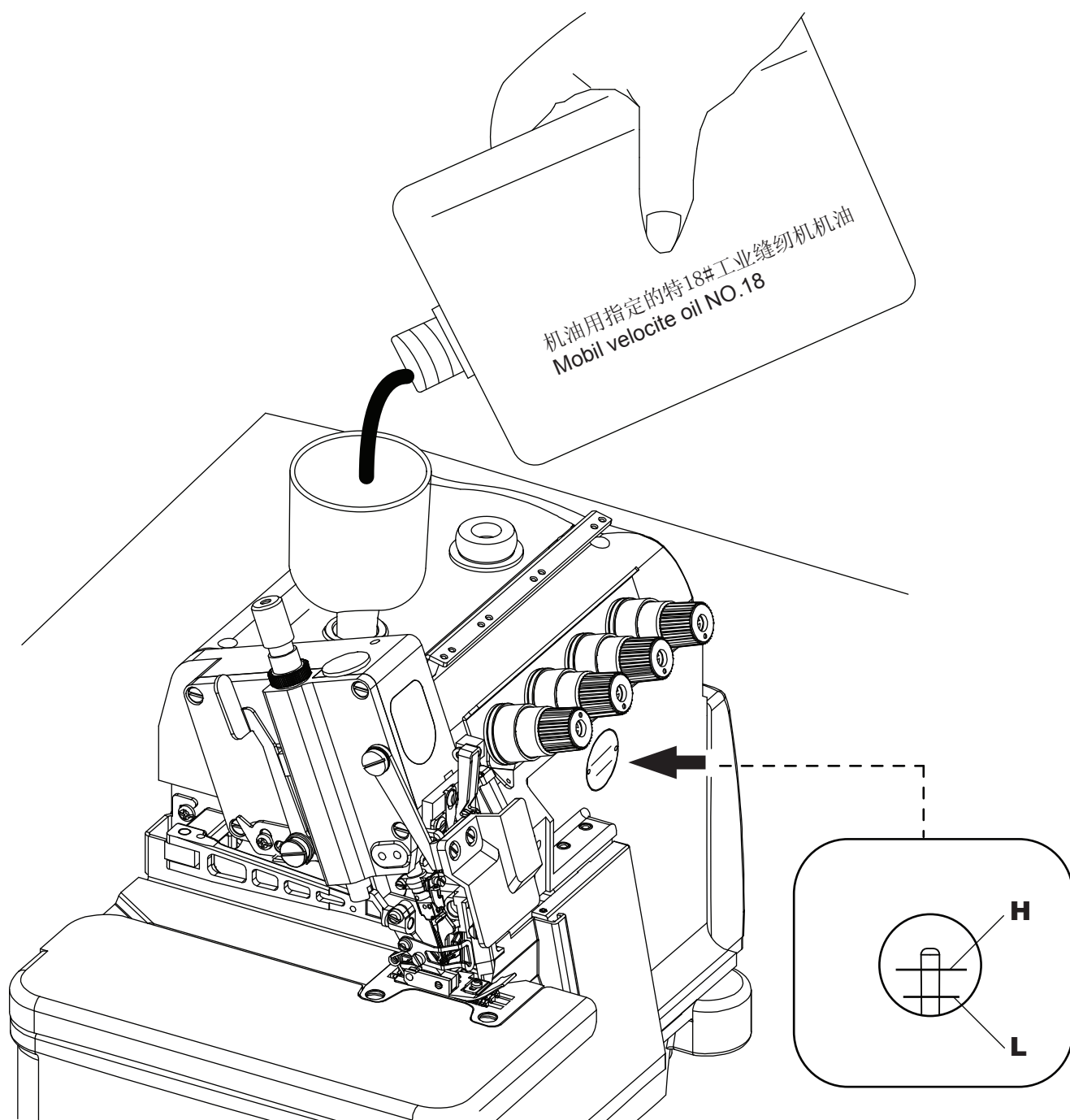


给油 Lubrication

加油量是使油面处于H线与L线之间为好。
当油量低于L线时，就要及时补充机油。

After filling the oil pan, the top of the indicator should lie between (H) and (L) lines.

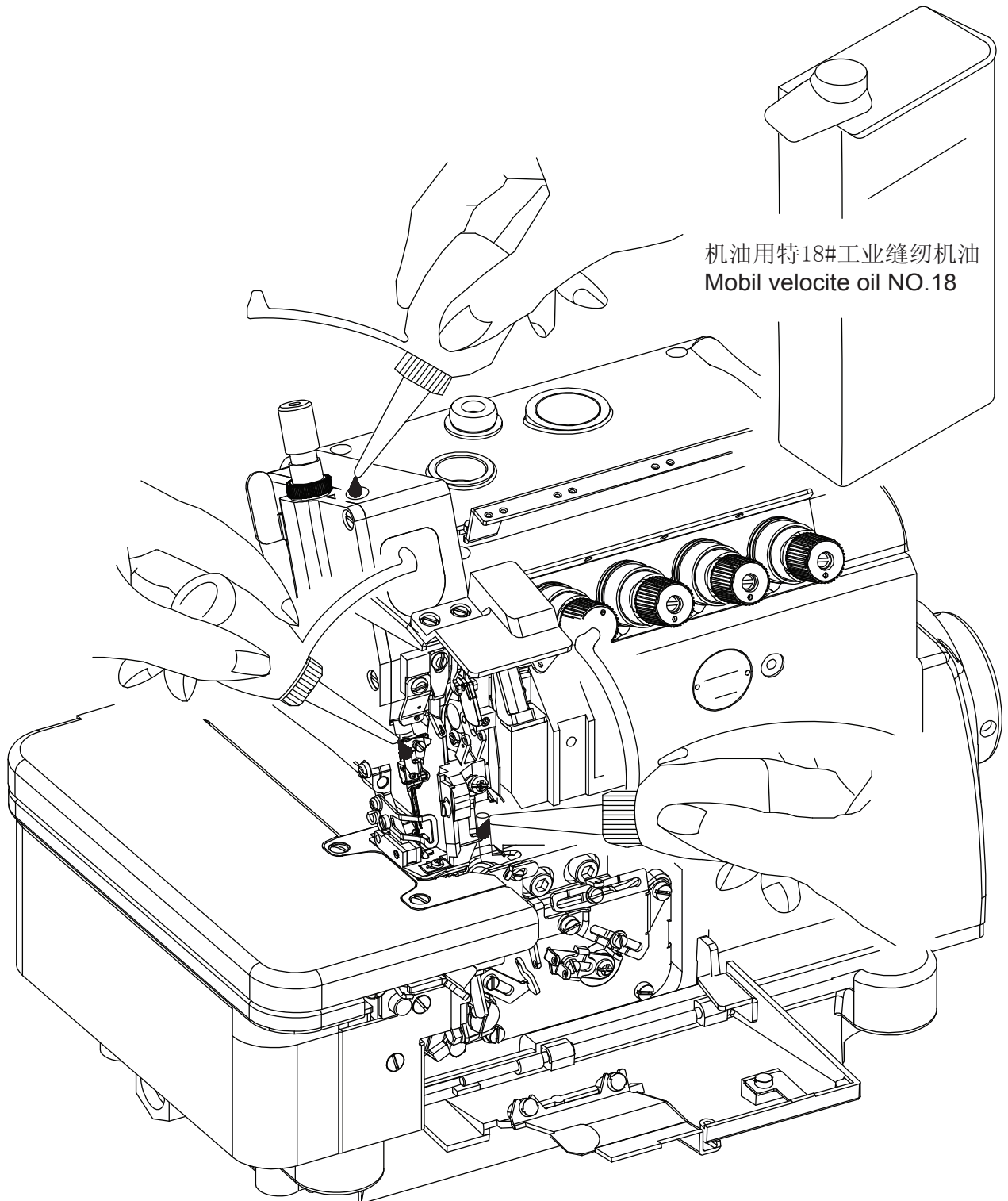
Add oil, when the oil level indicator reaches or goes below (L).



手动给油 Manual Lubrication

手动给油是在缝纫机最初开始使用时。
或相当一段时间没使用了时，请供给
2-3滴油。

Apply 2 or 3 drops of oil by hand when the
machine is used for the first time or has
been left unused for some time.

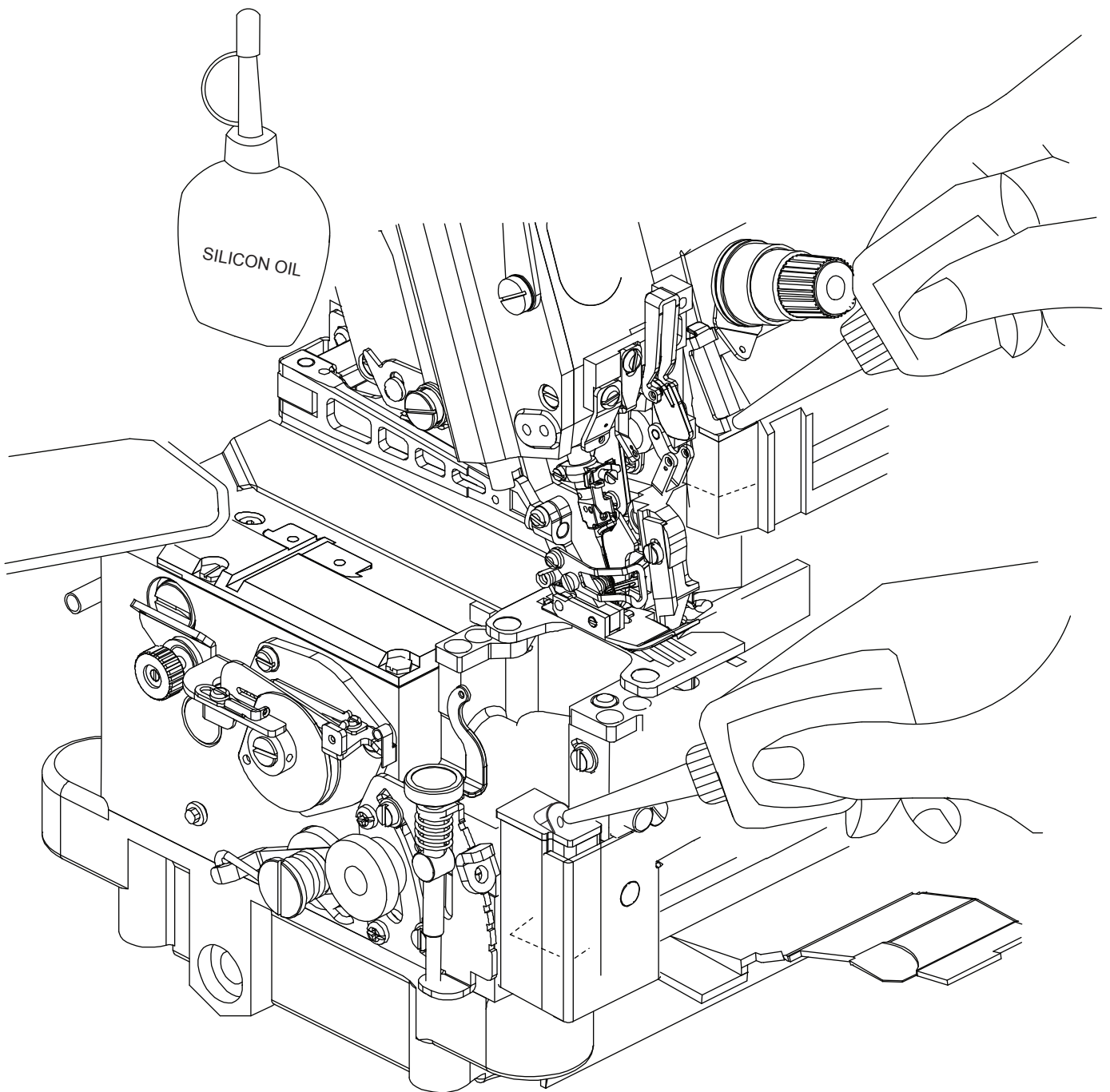


给HR装置供油 Filling the HR device with silicon oil

为了防止断线，尽早给HR装置供油。
注：关于购买硅油，请咨询代理店或公司
营业部联系。

Fill the HR device oil before it is too low in order
to prevent needle thread breakage and fabric
damage.

Note: Use Zoje recommended silicon oil.
[UNION CARBIDE CORPORATION]
UCC L-45(10)

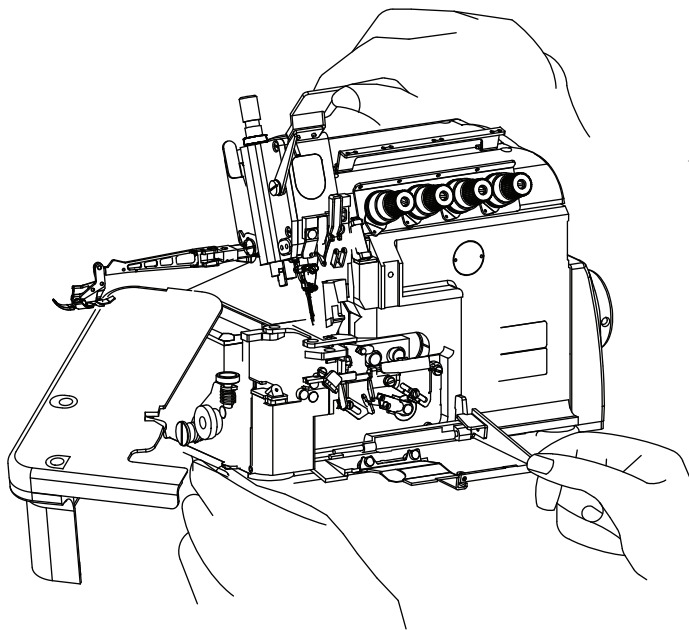


穿线的方法 Threading

打开压脚杆及机盖（二处）

Open three covers.

Sewing the presser foot aside.

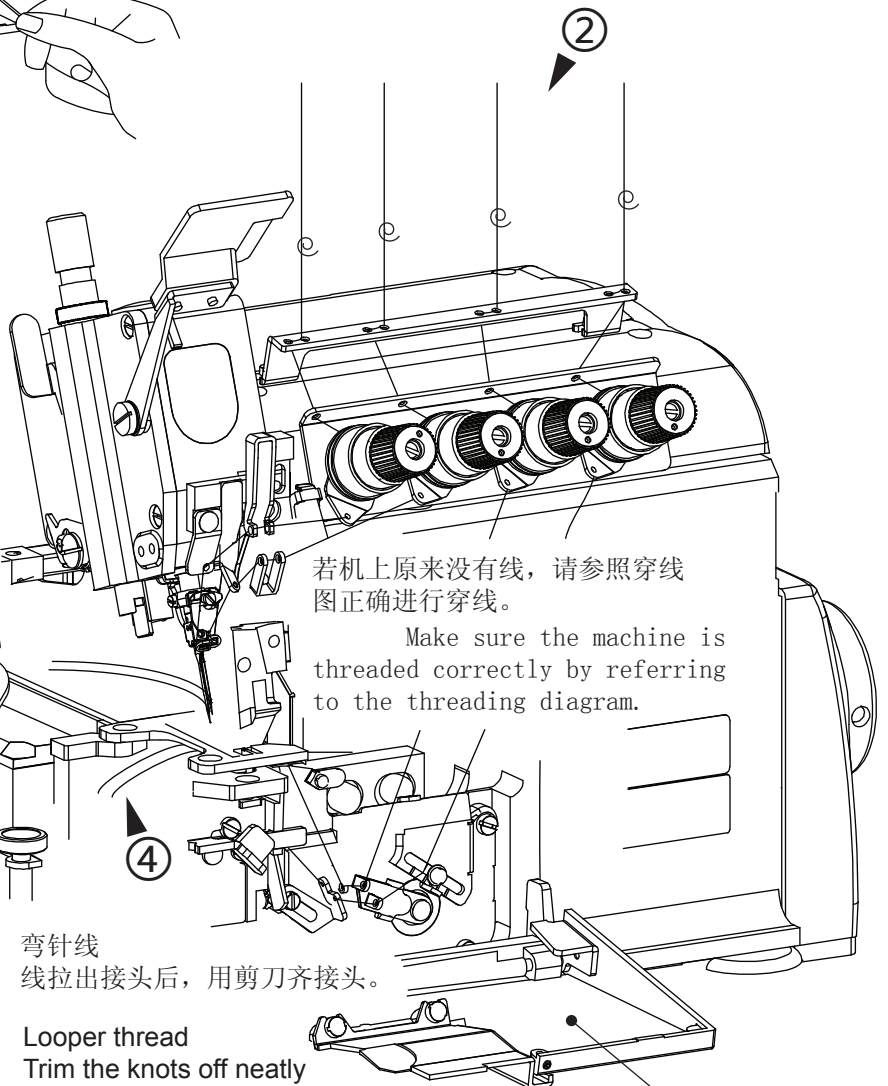


把机上原有的线与缝纫
用线板结在一起。

Knot the preset thread and the
thread being used together to
thread the machine.

针线
将线拉到针眼前，剪掉
结头再次穿好针线。

Needle thread
Trim the knots off neatly
before passing through
the eye of the needle to
rethread



若机上原来没有线，请参照穿线
图正确进行穿线。

Make sure the machine is
threaded correctly by referring
to the threading diagram.

弯针线
线拉出接头后，用剪刀齐接头。

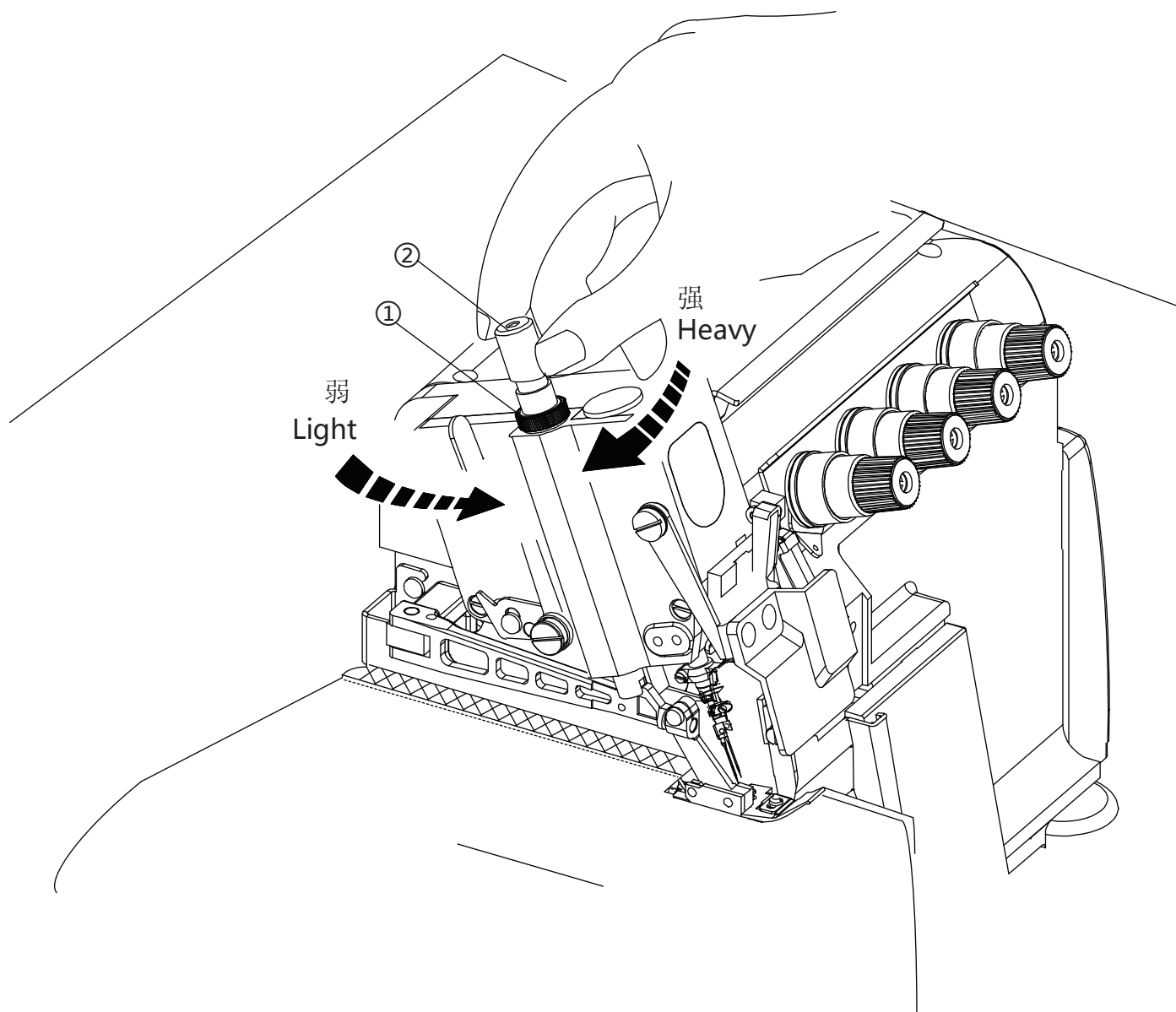
Looper thread
Trim the knots off neatly
after passing through the
eye of the looper.

过线图
Threading diagram

压脚压力的调节 Adjusting the presser foot pressure

压脚压力的调节，松动螺母①，调节螺母②，在送布得到稳定状态下尽可能使用较弱的压力为好。

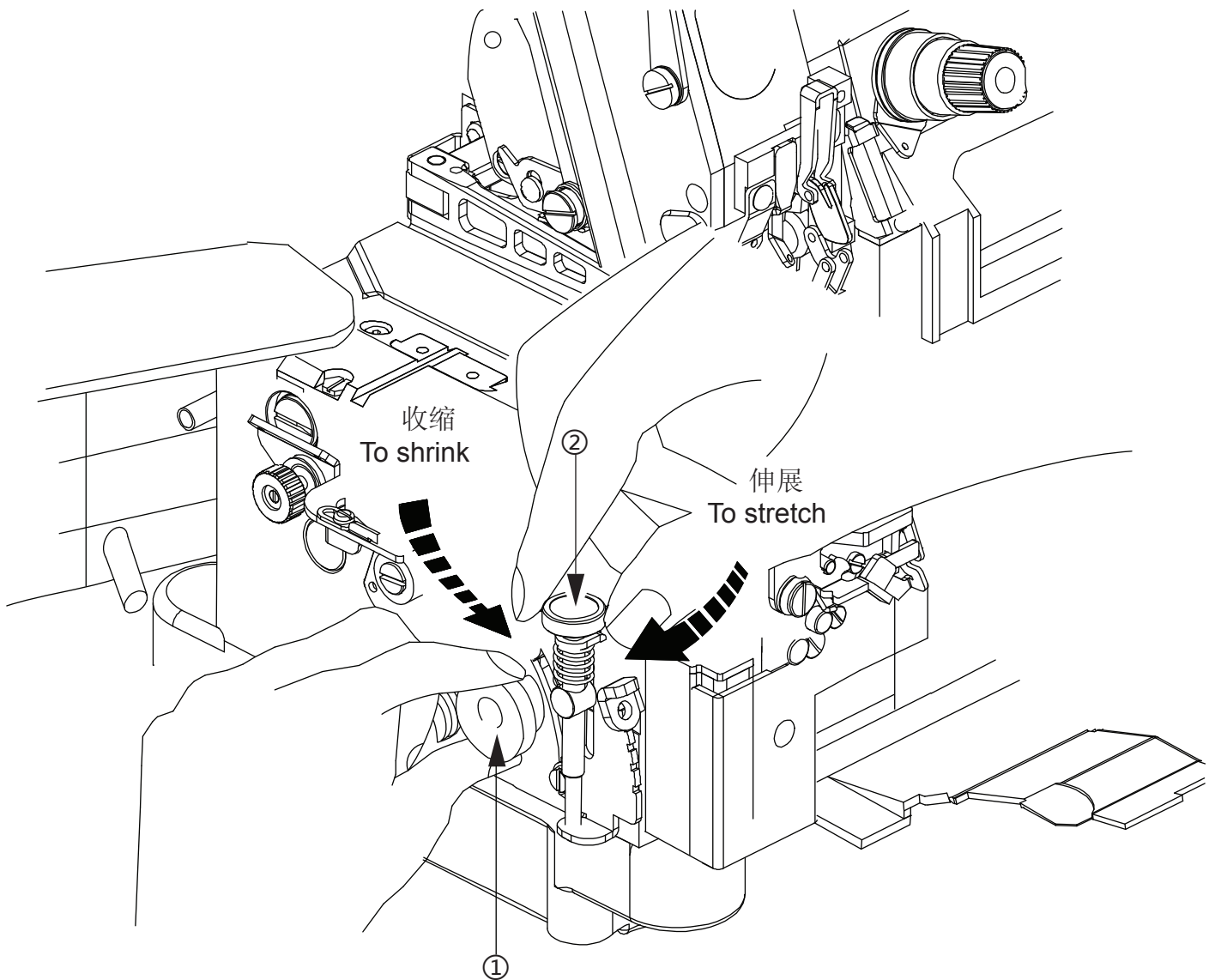
Loosen adjusting nut ① and turn adjusting nut ② to adjust the presser foot pressure. It should be as light as possible. Yet be sufficient to obtain the proper stitch formation.



差动比的调节 Adjusting the diff. feed ratio

差动比的调节松开螺母①调节螺母②。

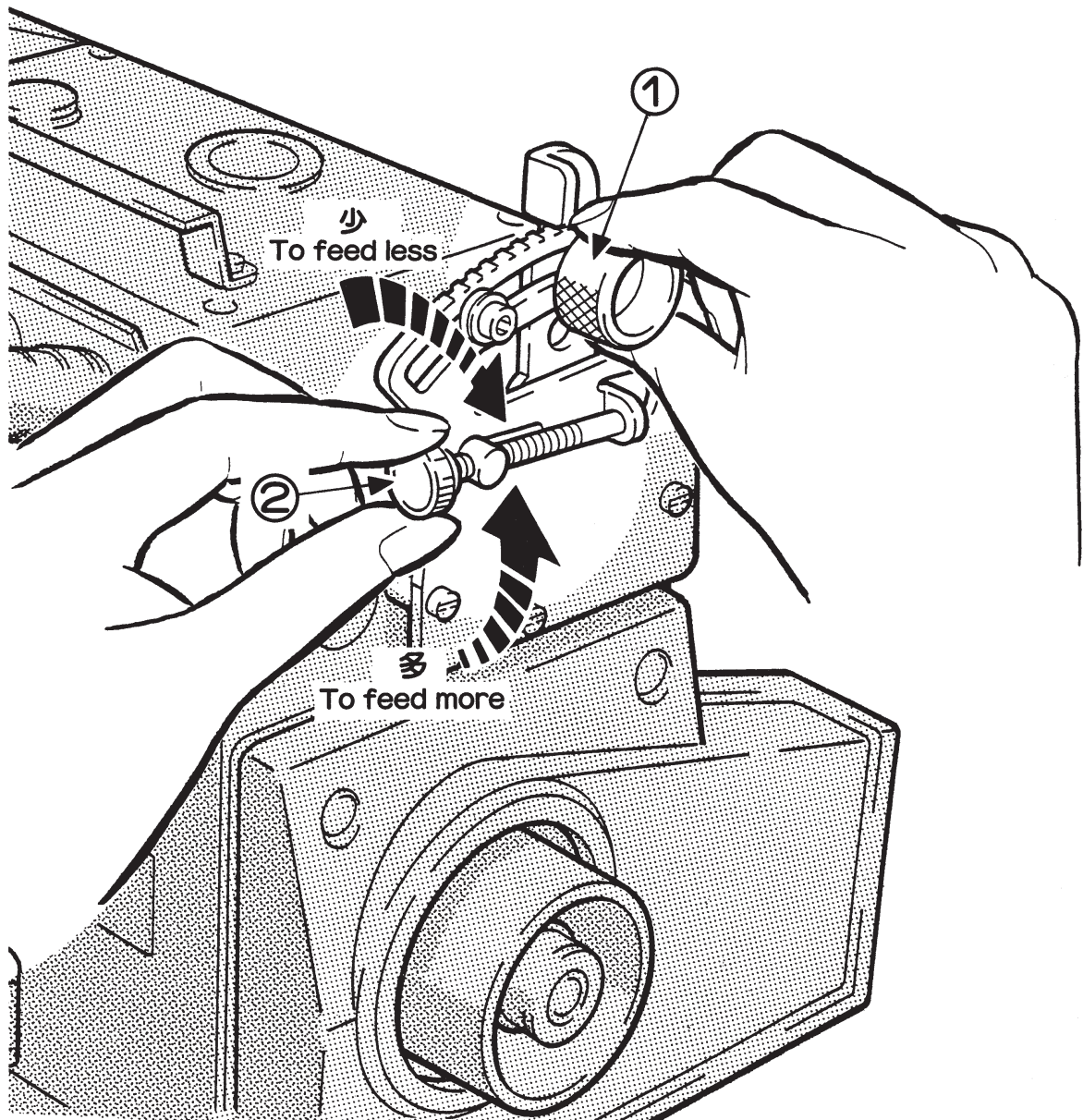
Loosen the adjusting nut ① and turn the adjusting nut ② to adjust the differential feed ratio.



上送布牙前后量的调节 Adjusting the top feed front-to-back motion

松开螺母①调节螺母②以调节上送布牙的前后行程。

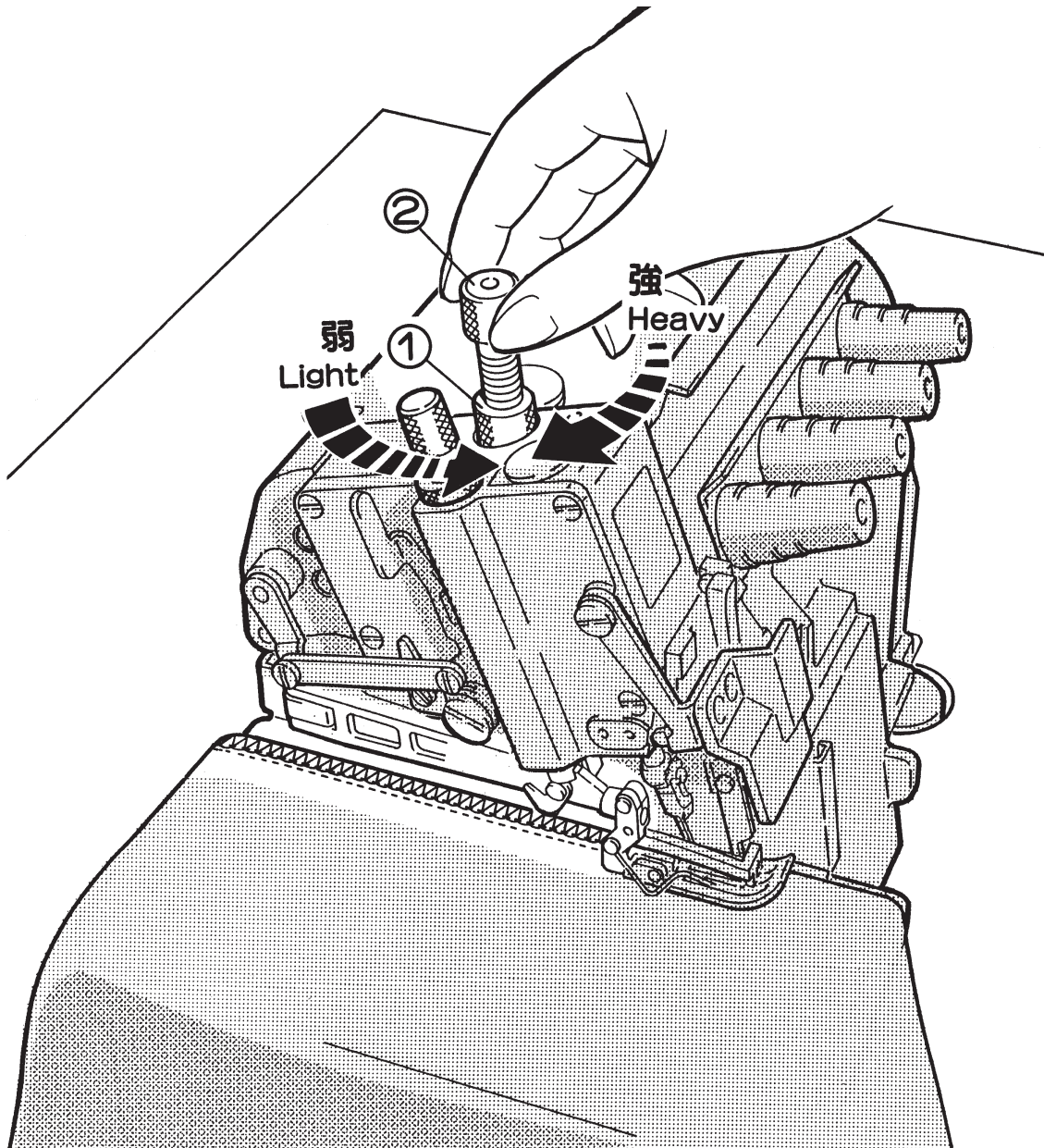
Loosen the adjusting nut ① and turn the adjusting nut ② to adjust the top feed front-to-back motion.



上送布牙压力的调节 Adjusting the top feed pressure

压脚压力的调节，松动螺母①，调节螺母②，在送布得到稳定状态下尽可能使用较弱的压力为好。

Loosen adjusting nut ① and turn adjusting nut ② to adjust the presser foot pressure. It should be as light as possible. Yet be sufficient to obtain the proper stitch formation.



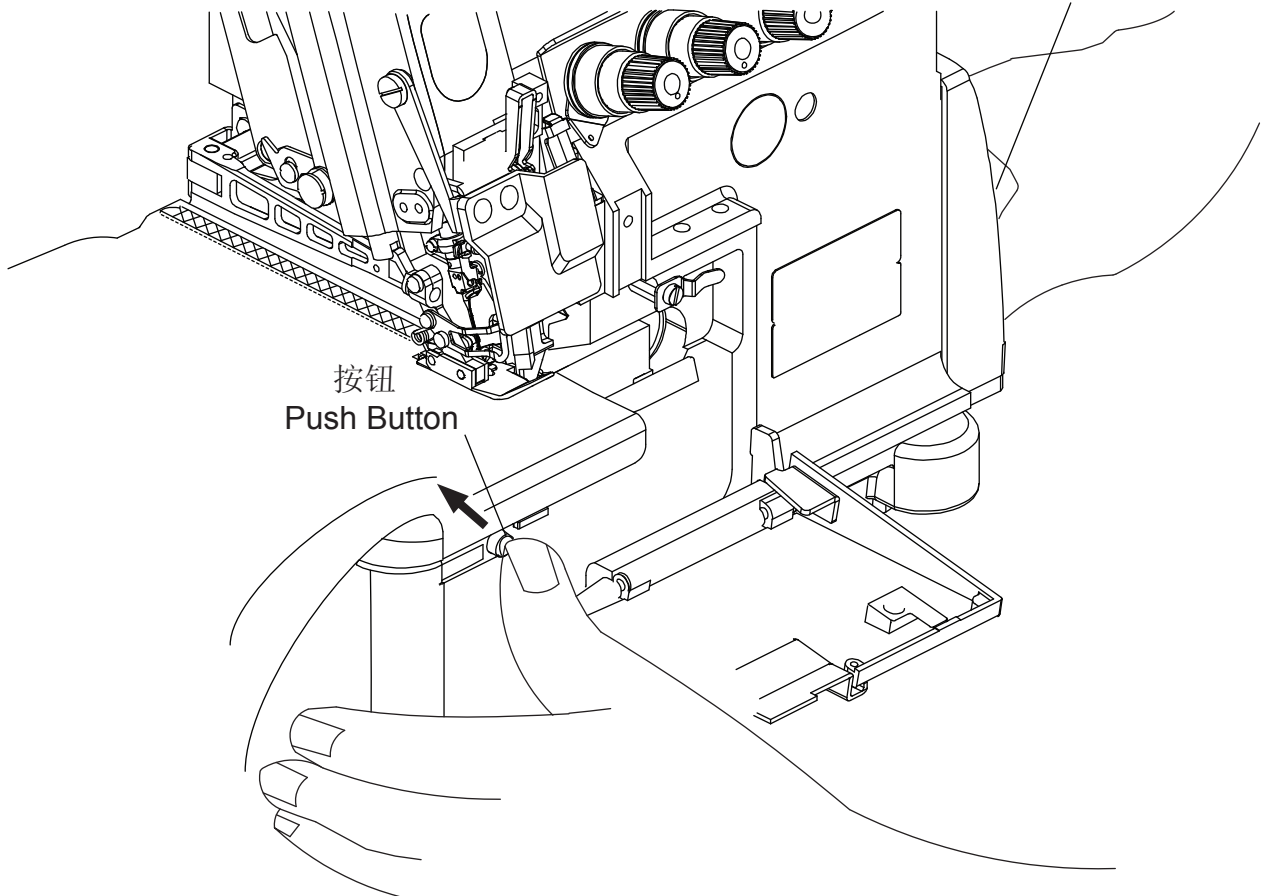
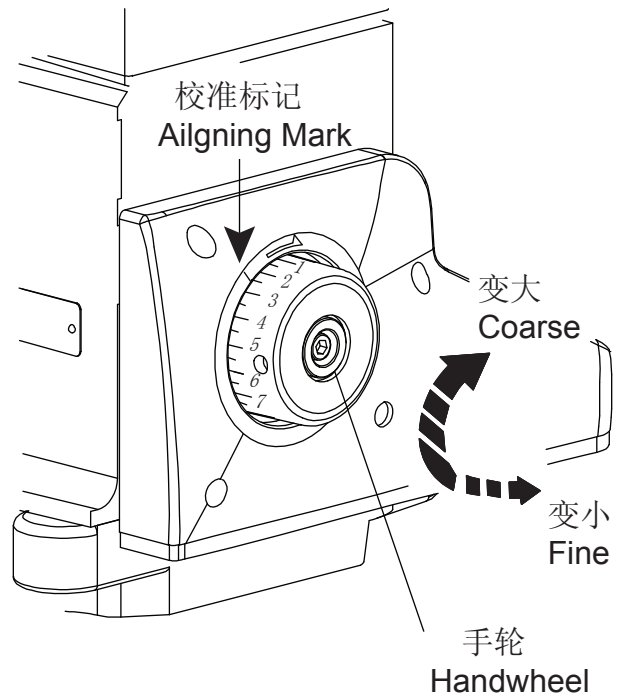
针脚长度的调节 Adjusting the stitch length

1. 摁住按钮，旋转手轮，按钮会陷进更深处。
2. 这时边摁住按钮，边转动手轮，使校准标记号对准所希望的数值。

- ① While pressing the push button, turn the handwheel to seek the position at which the push button goes further into the depth.
- ② Then, keeping the push button pressed, turn the handwheel and set the desired scale to the aligning mark.

注：针脚长度的调节务必请在调节差动比之后进行。

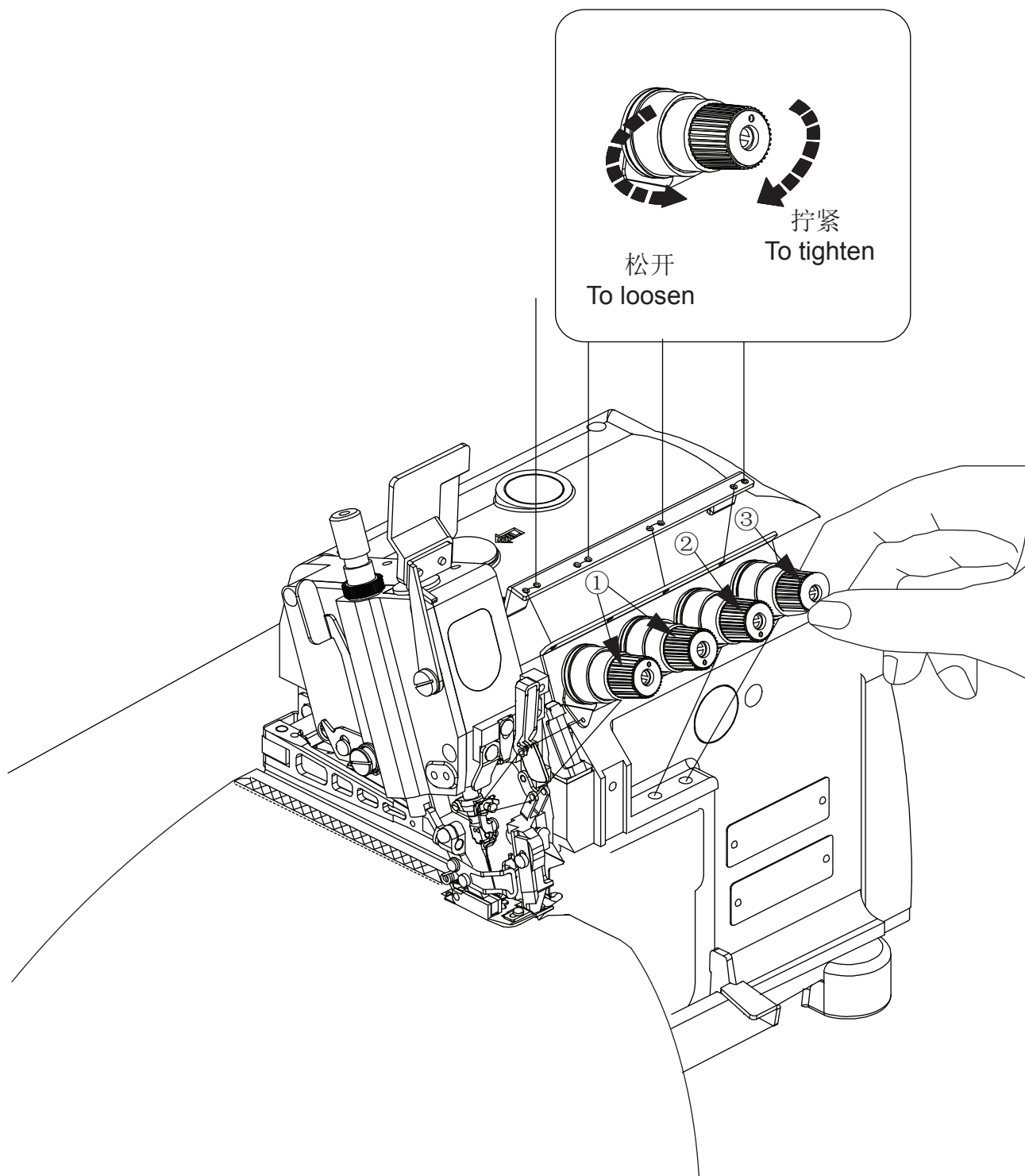
Note: Stitch length adjustment must only be made after the differential feed ratio has been changed.



线状态的调节 Adujsting the thread tension

线张力状态的调节，请用针线调节螺帽①、上弯针线调节螺帽②、弯针线调节螺帽③来进行调节。

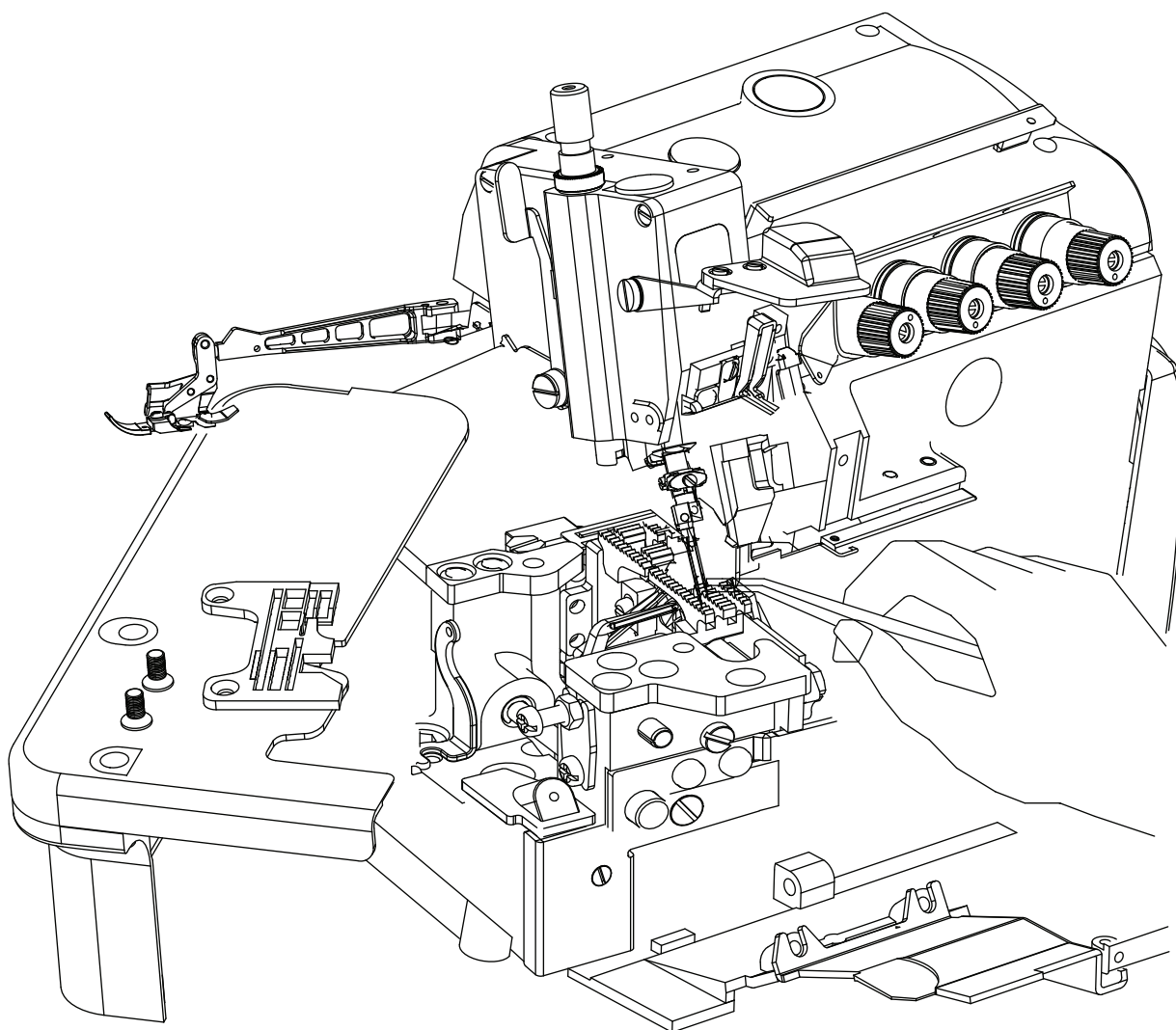
Make tension adjustments with the needle thread knob①、the upper looper knob②、and the lower looper knob③.



缝纫机的清扫 Cleaning the machine

缝纫机的清扫，以针板槽及送布牙周围为主。

Mainly the slots of the needle plate and the feed rows should be cleaned



换针 Replacing the needle

准确辨认针的前后，请将针凹向着后方，即背向操作者进行安装。

针要牢固的插到孔的最深处。

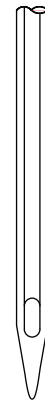
* Check the needle carefully to see that the scarf is turded to the rear of the machine.

* Insert the needle to the proper depth, and fasten securely.

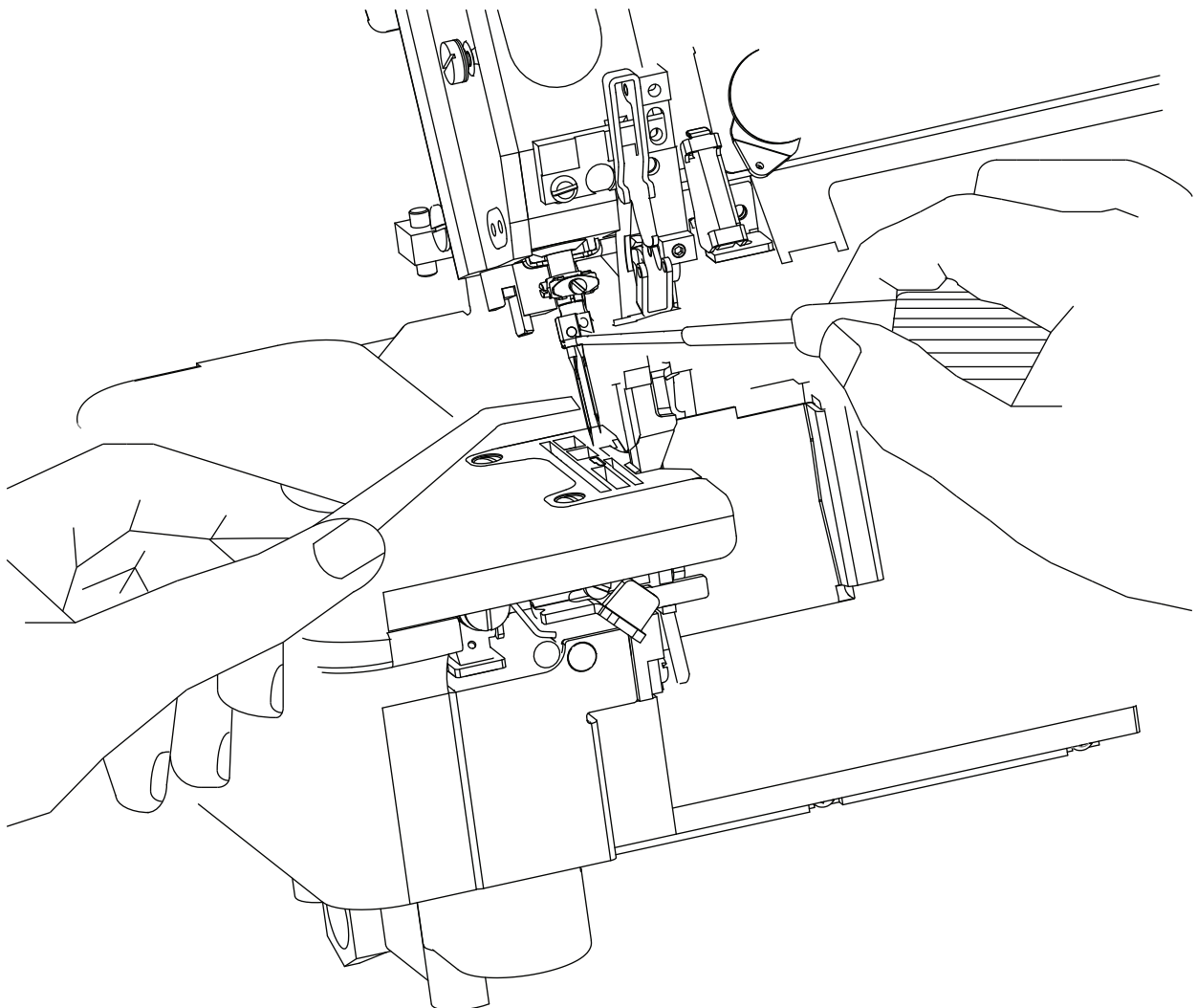
标准使用针：风琴DC×27

Standard needle: Organ DC×27

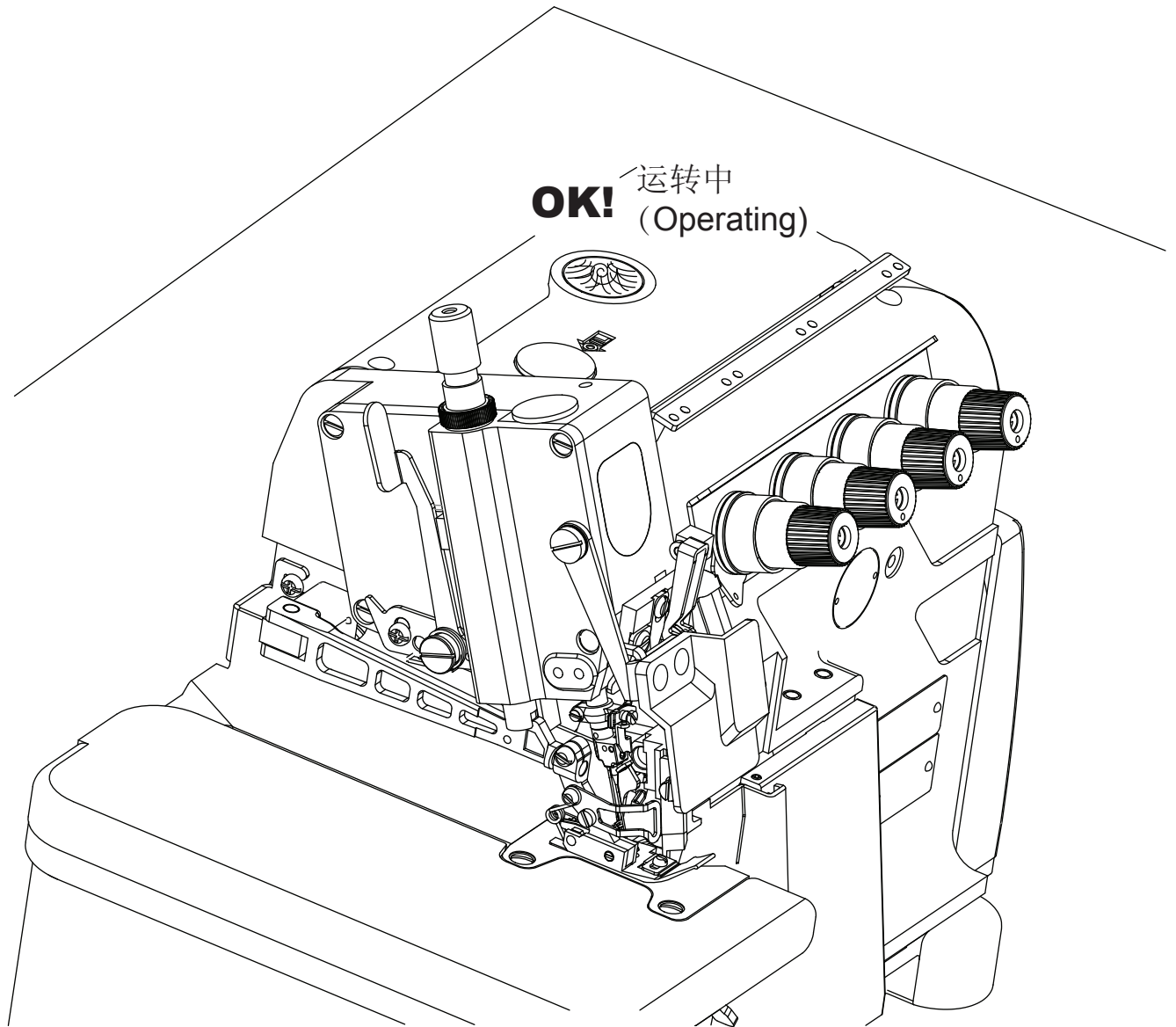
OK! NO!



针凹部分
Scarf



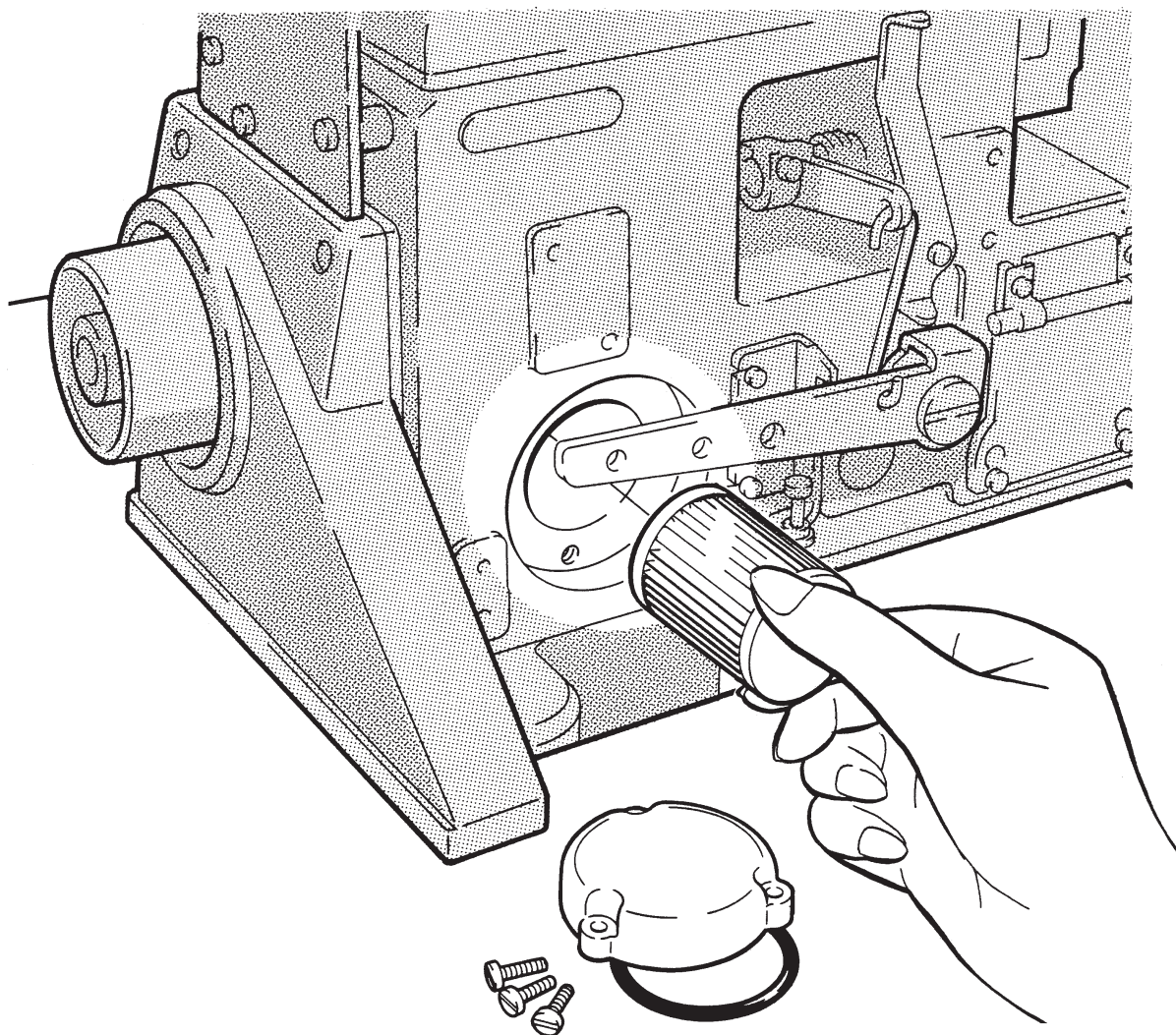
检查机油的循环
Checking the oil circulation



检查和更换滤油器 Checking and replacing the oil filter

滤油器每6个月检查并更换。

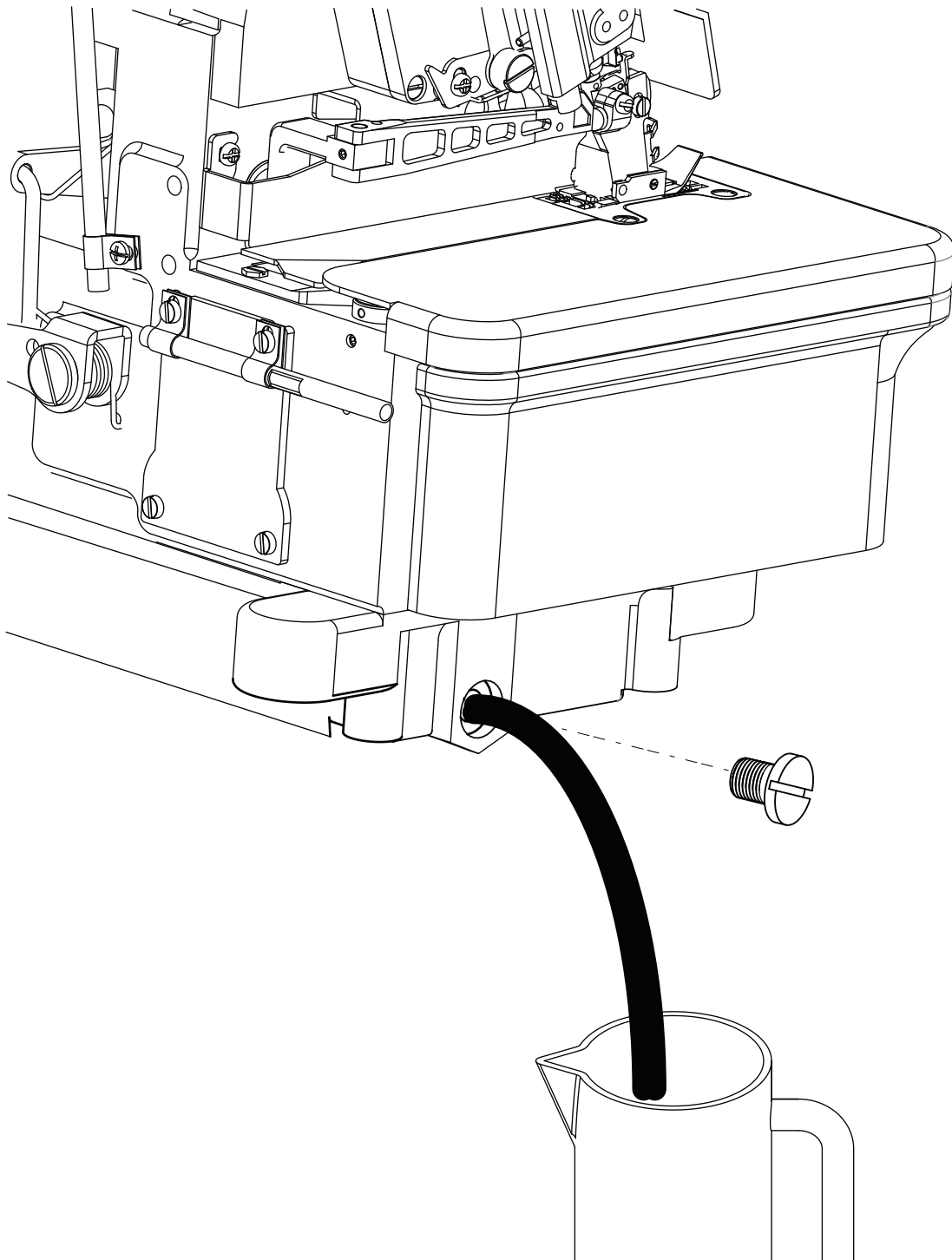
Check and replace the oil filter every six months.



换机油 Replacing the oil

机油的更换，请在使用开始1个月后更换一次。然后，每6个月更换一次。
供油请参见第2页。

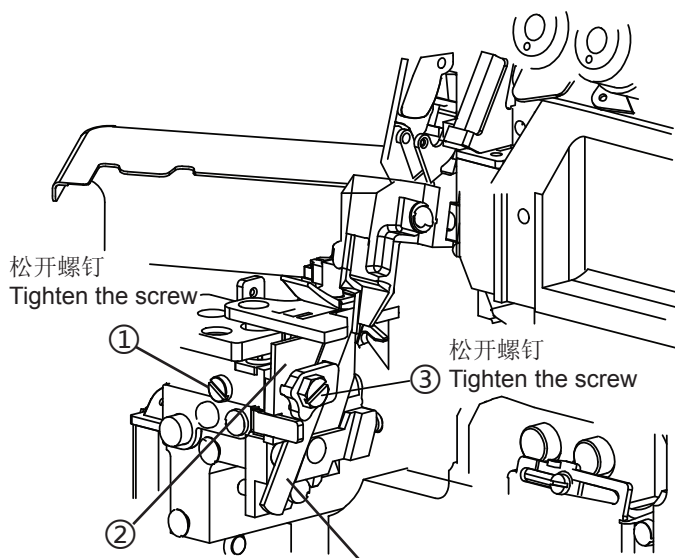
Replacing the oil one month after the first use and every six months thereafter. (See p2.)



下刀片的更换 Replacing the lower knife

卸下下刀片

To remove the lower knife

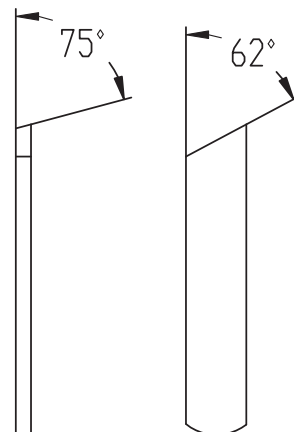


把下刀架框向左边，
用螺钉①暂时固定。
Temporarily screw ①
after sliding the lower
knife holder to the left.

④ 取入下刀片
Remove the lower knife

下刀片正确的研磨角度

Correct angles to resharpen
the lower knife

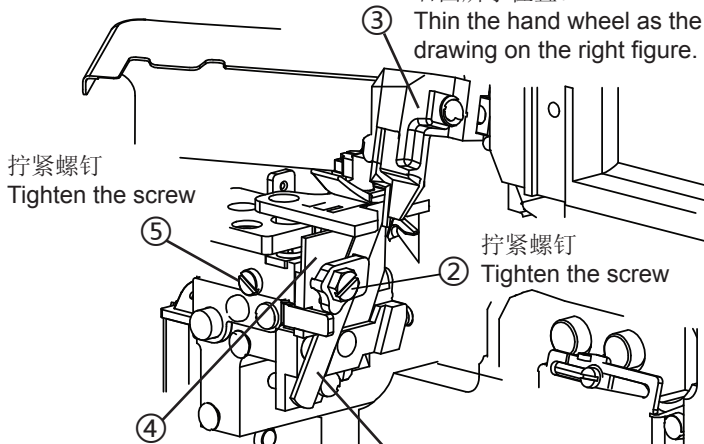


安装下刀片

To replace the lower knife

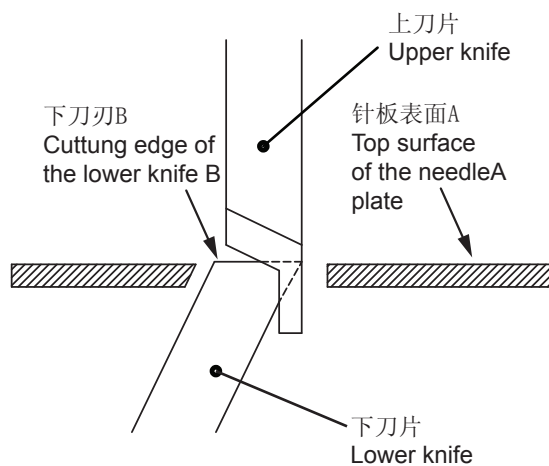
转动手轮将上刀移动对准如
右图所示位置。

③ Thin the hand wheel as the
drawing on the right figure.



松开螺钉⑤，下刀架框
向右移动。
Loosening the screw ⑤
makes the lower knife
holder side to the right.

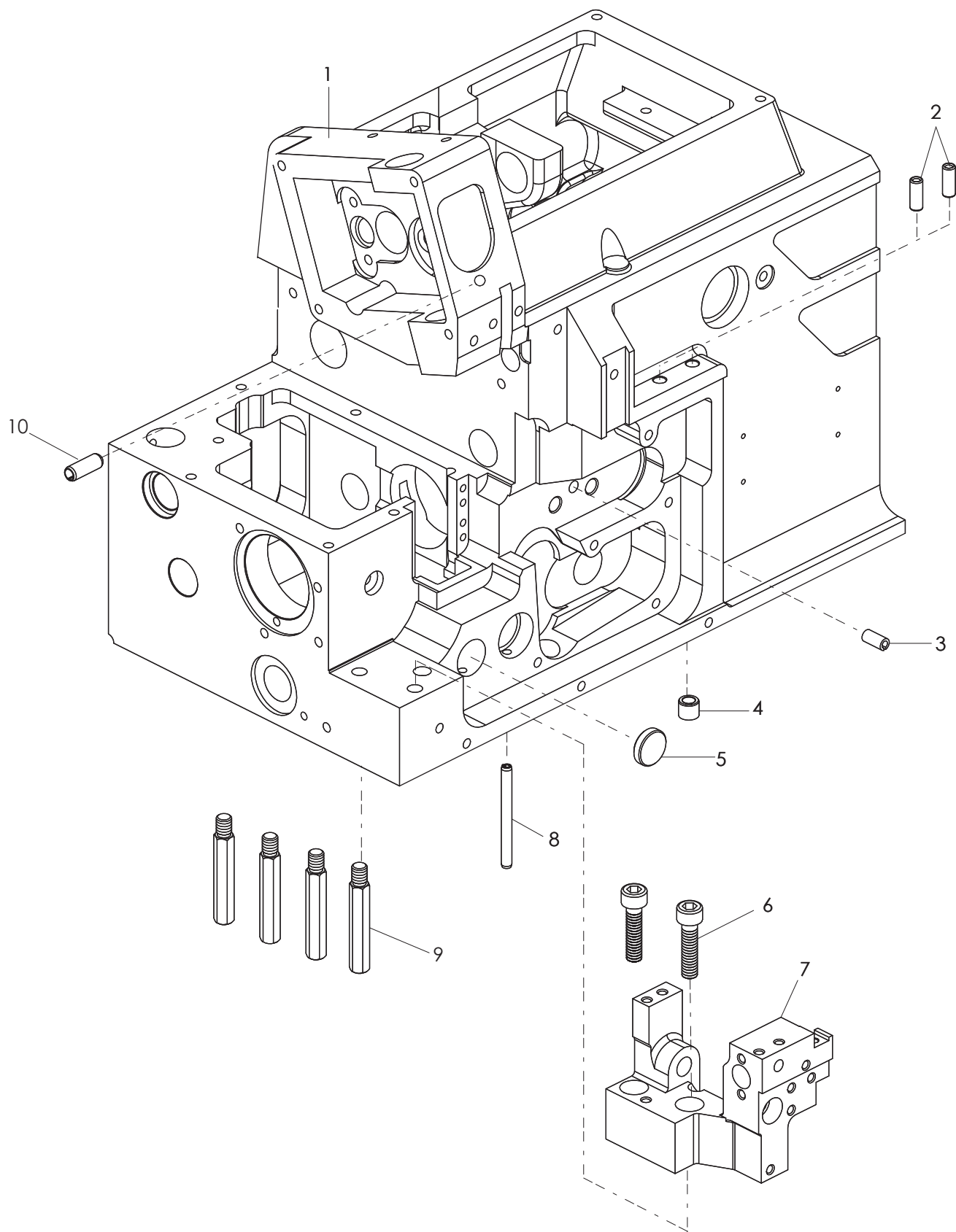
① 装入下刀片。（右图参照）
Insert the lower knife
(See the right figure.)



使针板表面A与下刀刃B处于相同水平位置。
Level of [A]=Level of [B]

装好下刀片后进行剪线，确认剪线状况。
Check cutting action of knife.

1、机壳机构/HOUSING FRAME

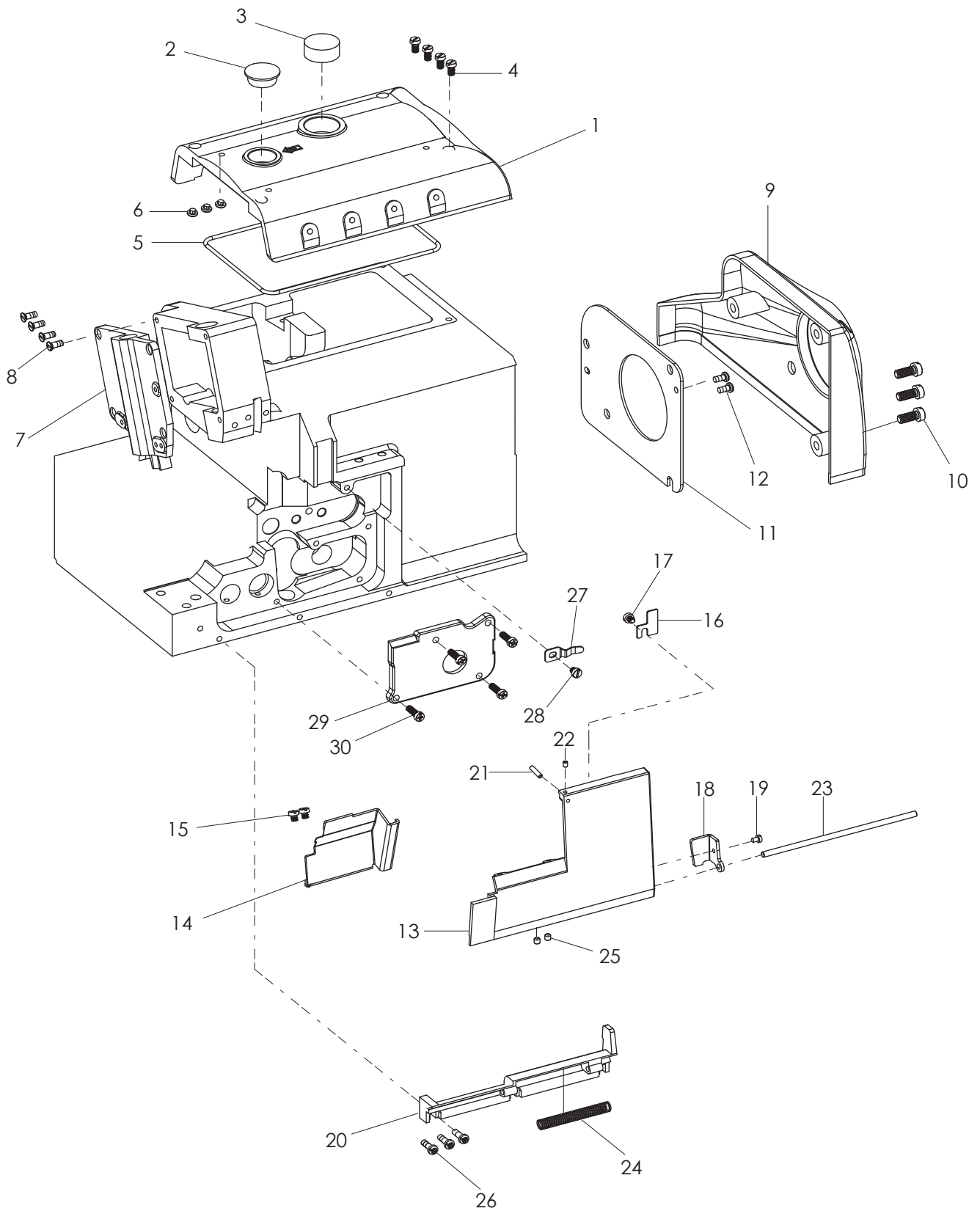


1. 机壳机构

HOUSING FRAME

序号 No.	件号 Pars No.	名称	Description	数量 Number
1	20004213	机壳喷漆	housing	1
2	10009452	上下弯针过线管	threading pipe for upper and lower loopers	2
3	10002836	销	pin	1
4	10008897	油标定位套	locating sleeve of oic scale	1
5	10008961	橡胶塞	rubber plug	1
6	10009171	螺钉	screw	2
7	10009050	下刀座	lower knife bed	1
8	10002830	销	pin	1
9	10011847	机壳支柱	support for housing	4
10	10002833	销	pin	1

2、外罩机构(1)/OUTER COVER FRAME(1)

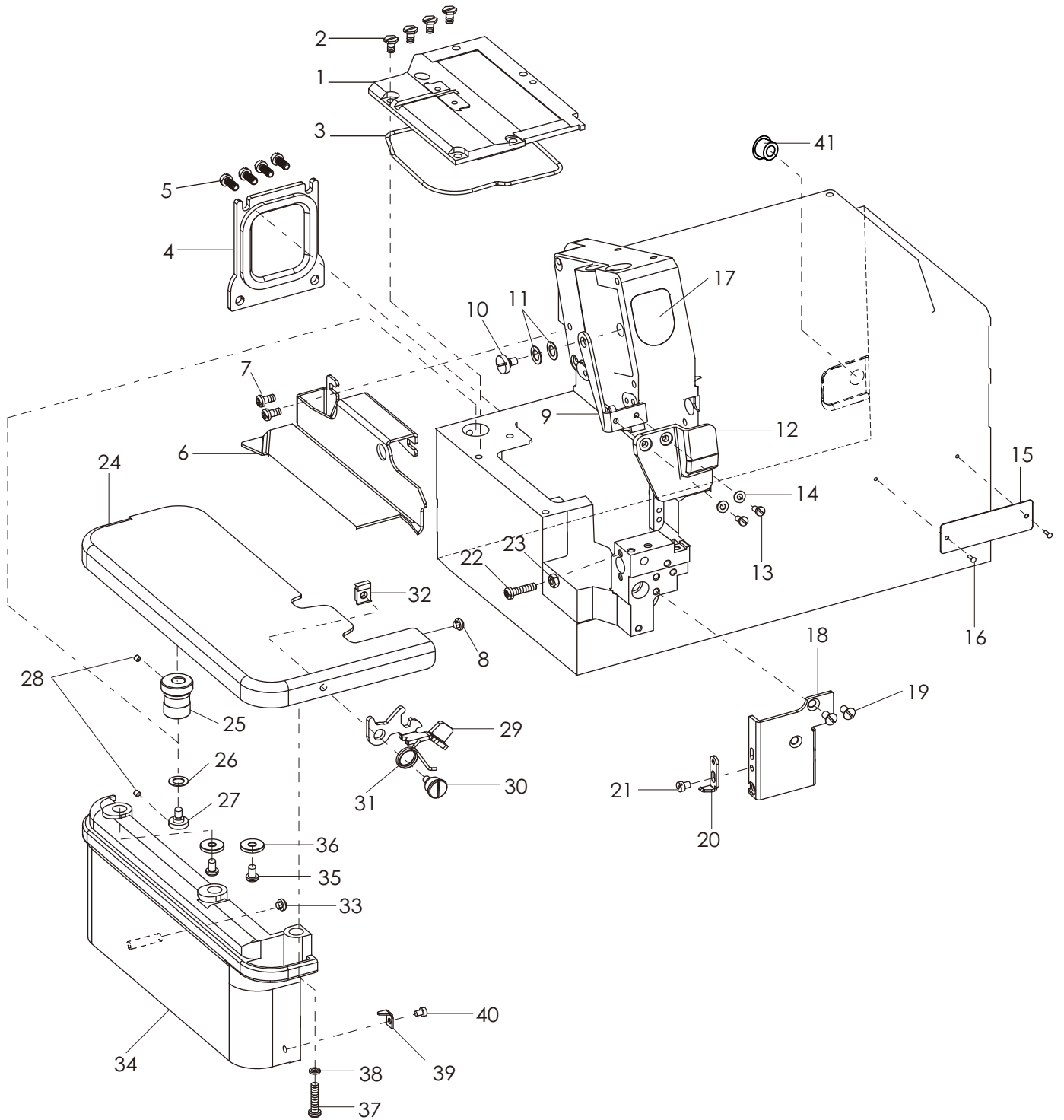


2. 外罩机构 (1)

OUTER COVER FRAME(1)

序号 No.	件号 Pars No.	名称	Description	数量 Number
1	20003519	上盖	upper cover	1
2	10008964	橡胶塞	rubber plug	1
3	10008938	上盖油窗	oil sight window	1
4	10009037	螺钉	screw	4
5	10052265	上盖密封圈	seal ring for upper cover	1
6	10009582	防震橡胶垫	ruver cushion	3
7	20003520	侧盖	side cover	1
8	10009195	螺钉	screw	4
9	10008968	皮带轮罩	belt cover	1
10	10002935	螺钉	screw	3
11	10008905	风扇盖	fan cover	1
12	10010595	螺钉	screw	2
13	20003521	前盖右	right part of front cover	1
14	10008881	前盖中	middle part of front cover	1
15	10010554	螺钉	screw	2
16	10008966	前盖右挡板	fender for right part of front cover	1
17	10004171	螺钉	screw	1
18	10008911	导向板	guiding plate	1
19	10009597	螺钉	screw	1
20	10008880	支架	supporting part	1
21	10002863	螺钉	screw	1
22	10013019	螺钉	screw	1
23	10034619	销	pin	1
24	10009509	弹簧	spring	1
25	10009074	螺钉	screw	1
26	10009037	螺钉	screw	3
27	10033682	弹簧板	spring plate	1
28	10004171	螺钉	screw	2
29	10008917	上弯针架盖	cover for upper looser stand	1
30	10011044	螺钉	screw	2
31	10008965	螺钉	screw	2
32	10009165	油窗橡胶圈	rubber ring	1

3、外罩机构(2)OUTER COVER FRAME(2)



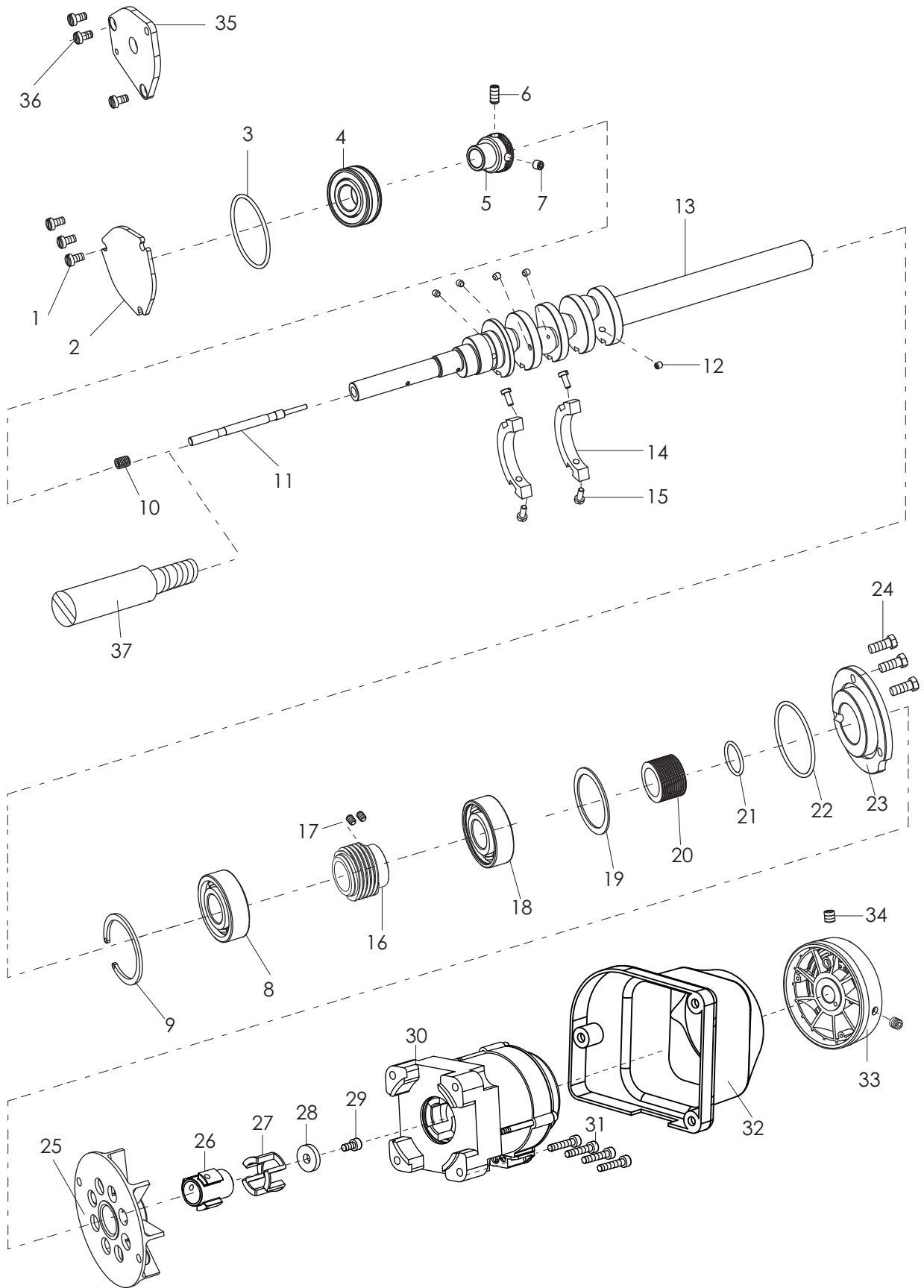
3. 外罩部件 (2)

OUTER COVER FRAME(2)

序号 No.	件号 Pars No.	名称	Description	数量 Number
1	10008918	左上盖	left upper cover	1
2	10009157	螺钉	screw	5
3	10008919	左上盖垫圈	washer for left upper cover	1
4	10033690	后盖板组件	comp on ent of back cover	1
5	10009104	螺钉	screw	2
6	**	内盖板	inside cover	1
7	**	螺钉	screw	2
8	10008912	泡沫橡胶垫	ruber cushion	1
9	10008879	安全罩架	stand of safety cover	1
10	10009600	螺钉	screw	1
11	10010596	垫圈	washer	2
12	10008878	安全罩	safety cover	1
13	10009044	螺钉	screw	2
14	10009599	垫圈	washer	2
15	*	型号牌 ☆	model plate ☆	1
16	10002840	铆钉	rivet	2
17	10002542	装饰牌 ☆	decoratire plate ☆	1
18	10008882	前盖左	left part of front cover	1
19	10009049	螺钉	screw	2
20	10033689	挡板	baffle	1
21	10009514	螺钉	screw	1
22	10009075	螺钉	screw	1
23	10005297	螺母	nut	1
24	10025655	大盖组件	component of surface cover	1
25	10009547	大盖铜套	brass bush for surface cover	1
26	10010596	垫圈	washer	1
27	10009044	螺钉	screw	1
28	10009074	螺钉	screw	1
29	10052570	大盖卡紧板	grip part for surface cover	1
30	10009546	螺钉	screw	1
31	10009536	弹簧	spring	1
32	10009548	锁紧板	locking plate	1
33	10009582	防震橡胶垫	quake-proof rubber cushion	1
34	10009450	横盖	lower left side cover	1
35	10010595	螺钉	screw	2
36	10009537	垫圈	washer	2
37	10009291	螺钉	screw	1
38	10008144	垫圈	washer	1
39	10033700	横盖限位板	position limiting plate	1
40	10009529	螺钉	screw	1
41	10008943	橡胶塞	rubber plug	1

*:参看专用件表/see the guage list

4、主轴机构/MAIN SHAFT FRAME

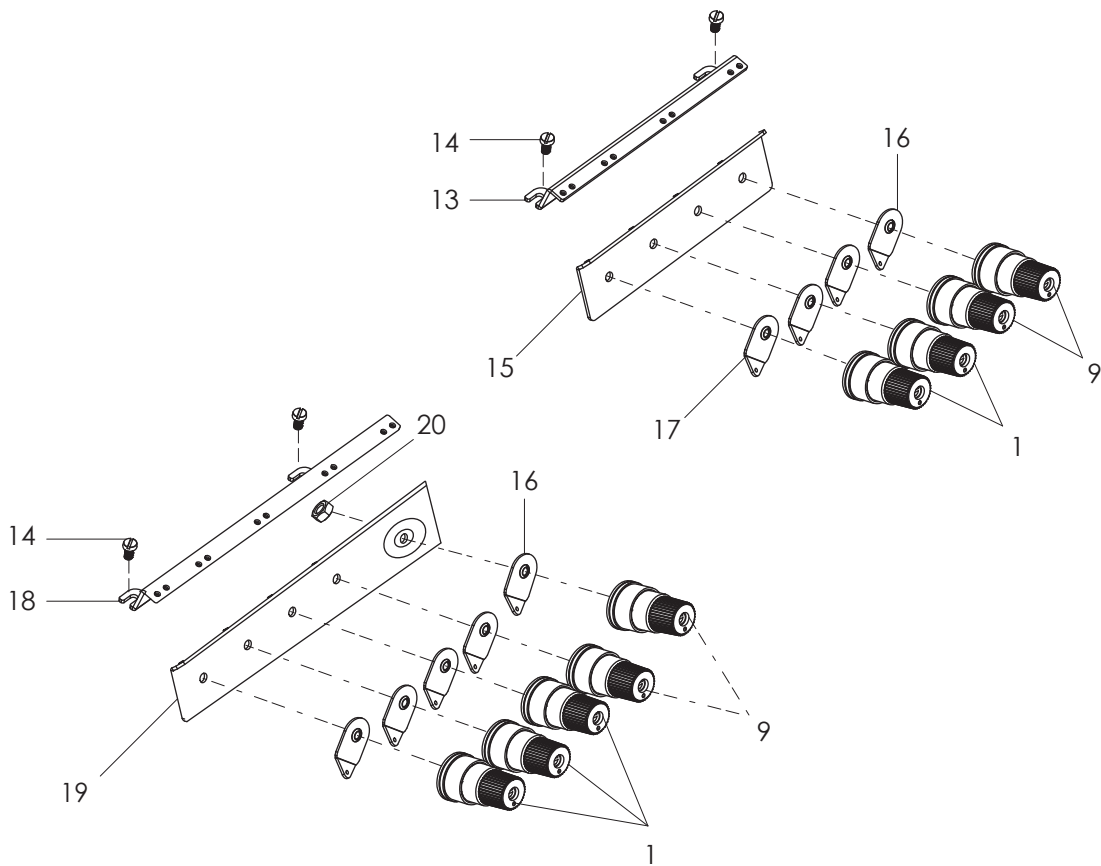
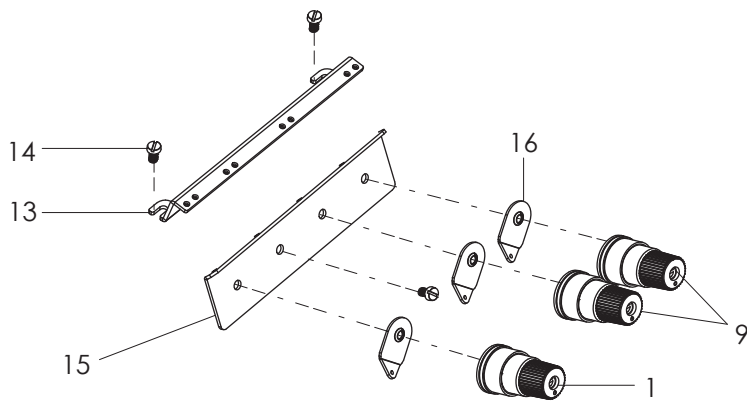
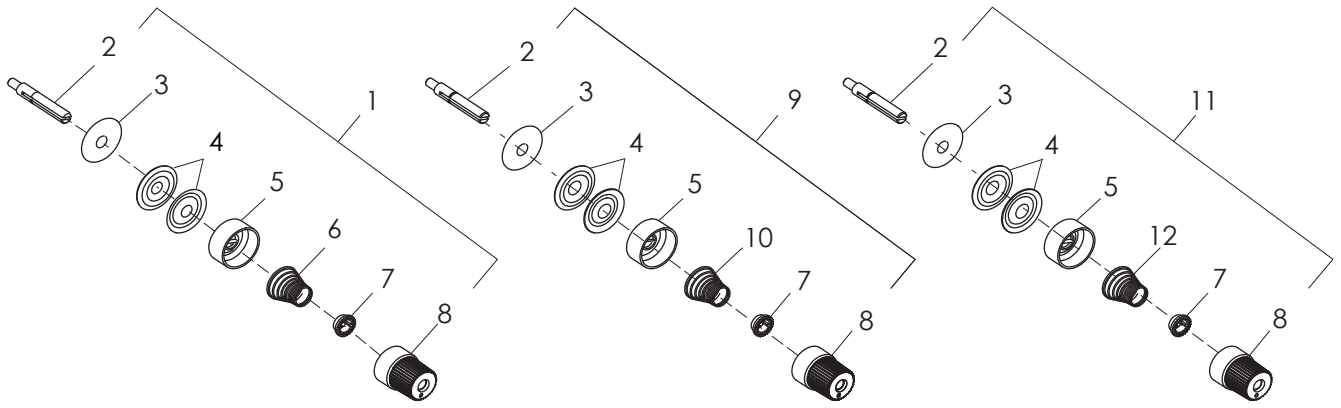


4. 主轴机构

MAIN SHAFT FRAME

序号 No.	件号 Pars No.	名称	Description	数量 Number
1	10010595	螺钉	screw	3
2	10009519	左盖	left cover	1
3	10009448	O型圈	O ring	1
4	10025895	轴承	bearing	1
5	10002966	轴承套	bush mounted in bearing	1
6	10012162	螺钉	screw	1
7	10009167	螺钉	screw	1
8	10009780	左轴承	left bearing	1
9	10009334	O型圈	O ring	1
10	10009187	螺钉	screw	1
11	10009479	主轴油芯	oil wick of main shaft	1
12	10002962	螺钉	screw	5
13	10037746	主轴	main shaft	1
14	10009402	平衡块	balance block	2
15	10003001	螺钉	screw	4
16	10009750	蜗杆	worm bush	1
17	10011232	螺钉	screw	1
18	10003543	轴承	bearing	1
19	10009361	右盖垫片	washer for right cover	1
20	10040344	螺纹套	bush mounted in screw	1
21	10009360	O型圈	O ring	1
22	10009359	O型圈	O ring	1
23	10038543	右盖	right cover	1
24	10009195	螺钉	screw	3
25	10051051	风扇	fan	1
26	10051049	主轴联轴器	coupling of spindle	1
27	10051050	缓冲垫	cushion	1
28	10001079	垫片	gasket	1
29	10003108	螺钉(M6×16)	screw	1
30	10051048	电机	motor	1
31	10009520	螺钉	screw	1
32	10031846	电机罩	cover	1
33	10054530	手轮组件 ☆	hand wheel assembly ☆	1
34	10004938	螺钉	screw	2
35	10009643	左盖	left cover	1
36	10010595	螺钉(M4×7.5)	screw	3
37	10007842	螺钉(M6×12.2)	screw	1

5、调线机构/ADJUSTING TIIREAD FRAME

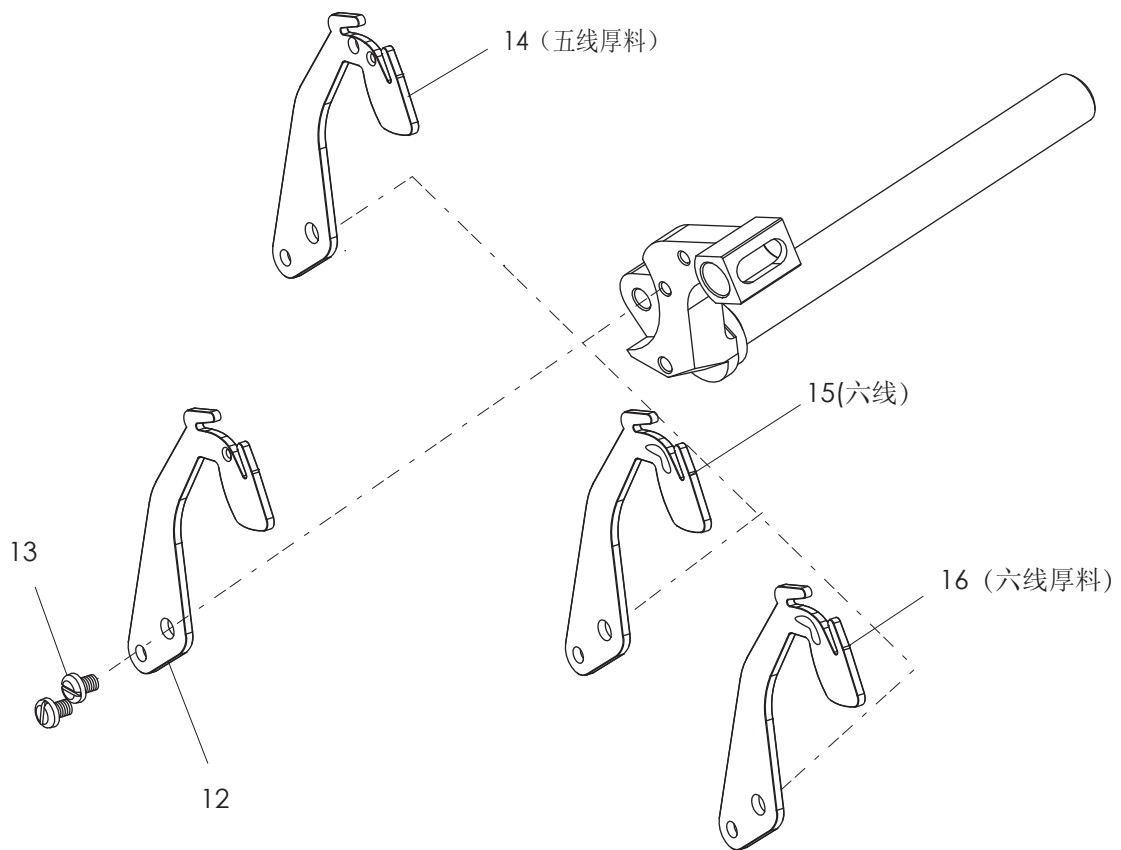
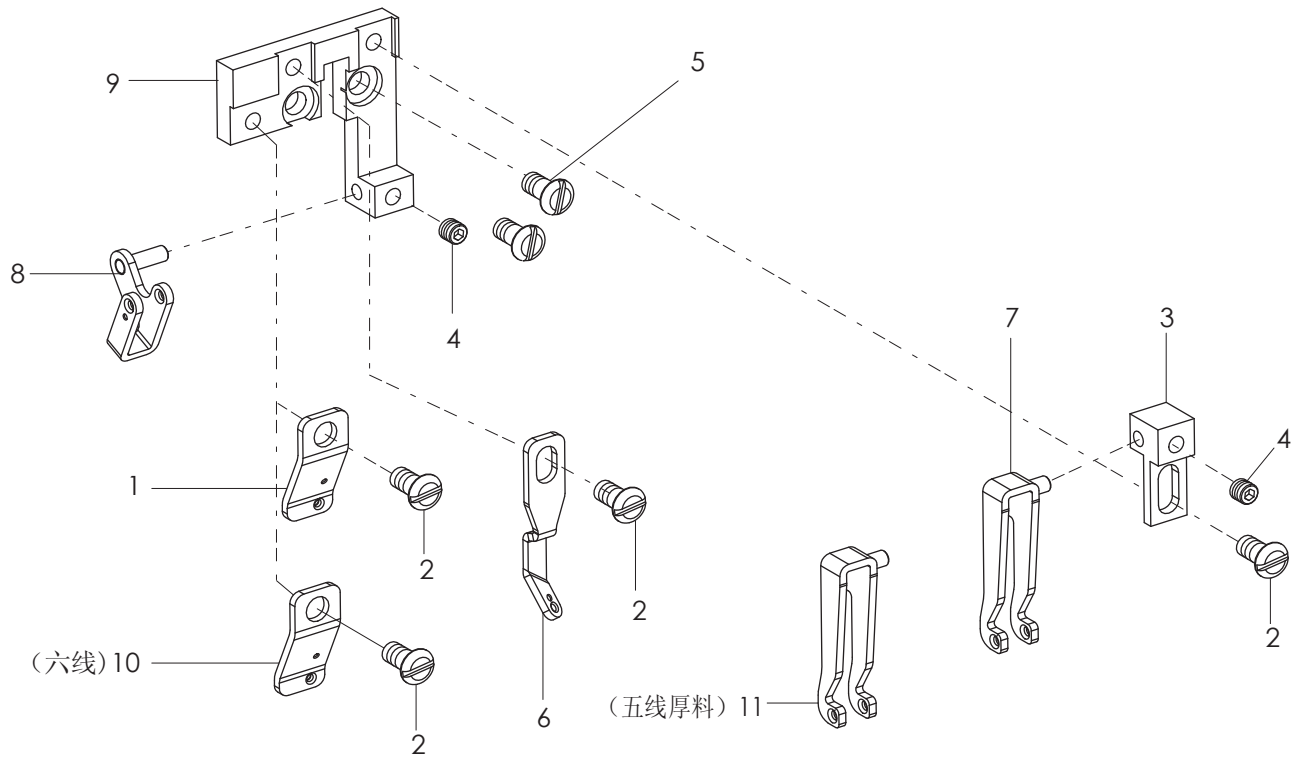


5. 调线机构

ADJUSTING THREAD FRAME

序号 No.	件号 Pars No.	名称	Description	数量 Number
1	10039507	直针夹线器组件 ☆	thread tension aggregate for needle ☆	1
2	10003112	螺钉	screw	1
3	10009010	布垫	cloth cushion	1
4	10003116	夹线盘	thread tension dish	4
5	10006877	夹线碗	thread tension bowl	1
6	10009534	弹簧	spring	1
7	10003111	防松垫	release-proof cushion	1
8	10006875	夹线螺母	thread tension nut	1
9	10039509	上弯针夹线器组件 ☆	thread tension aggregate for upper looper ☆	1
10	10009533	弹簧	spring	1
11	10039509	下弯针夹线器组件 ☆	thread tension aggregate for lower looper ☆	1
12	10009533	弹簧	spring	1
13	10008904	过线架	thread guide stand	1
14	10009556	螺钉	screw	2
15	10008962	夹线器座	base of thread tension device	1
16	10003115	过线板	thread guide plate	*
17	10008903	二孔过线板	thread guide plate	1
18	10008658	过线架	thread guide stand	1
19	10008586	夹线器座	base of thread tension device	1
20	10010425	螺母	nut	1

6、调线·过线/THREAD TAKE UP AND THREADING

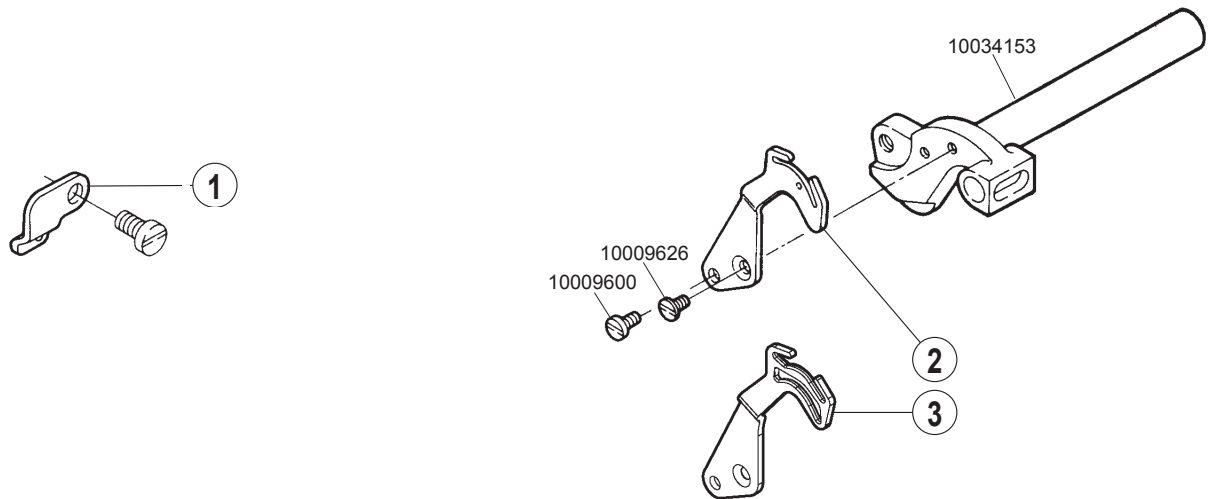


6. 挑线·过线机构

THREAD TAKE UP AND THREADING

序号 No.	件号 Pars No.	名称	Description	数量 Number
1	10009280	左过线板	thread guide plate of left	1
2	10010594	螺钉	screw	3
3	10009015	挑线夹固定架	fixing stand for thread take-up clamp	1
4	10009074	螺钉	screw	2
5	10010594	螺钉	screw	2
6	10003252	右过线板	thread guide plate of right	1
7	10002756	上挑线夹	upper thread tension plate	1
8	10009663	下挑线夹	lower thread tension plate	1
9	10009639	固定板	fixing plate	1
10	10008588	左过线板	thread guide plate of left	1
11	10008655	上挑线夹	upper thread tension plate	1
12	10009642	挑线架	thread take-up stand	1
13	10009600	螺钉	screw	2
14	10008653	挑线架	thread take-up stand	1
15	10008587	挑线架	thread take-up stand	1
16	10008202	挑线架	thread take-up stand	1

7、挑线、过线(1)/THREAD TAKE-UP AND THREADING

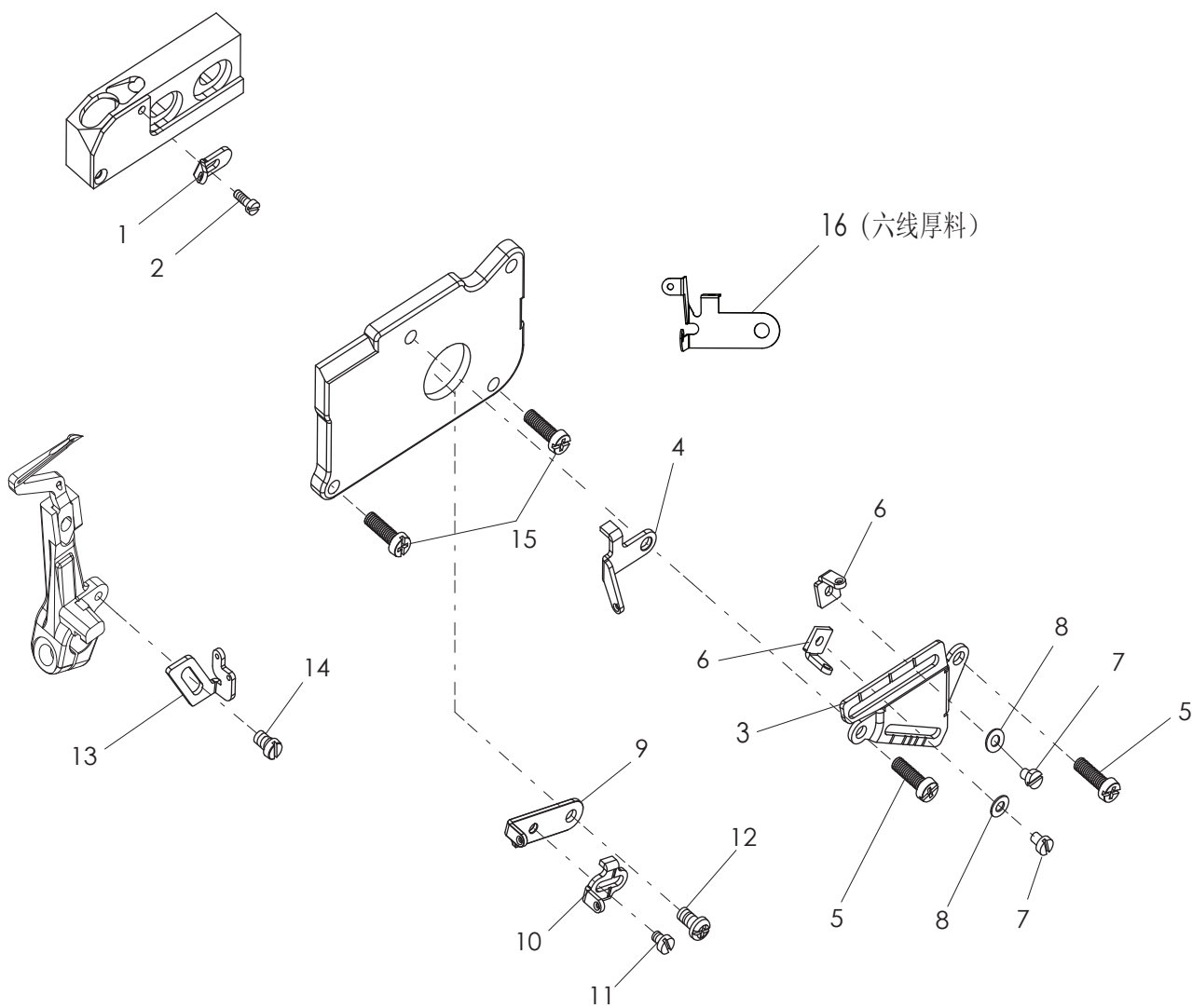


过线、挑线

THREAD GUIDE & THREAD TAKE-UP

序号 No.	件号 Pars No.	名称	Description	数量 Number
1	10035269	Z-91-103387-35\直针过线板	THREAD GUIDE	1
2			NEEDLE THREAD TAKEUP	1
3	10026732	Z-91-103104-35\挑线架	NEEDLE THREAD TAKEUP	1

8、挑线·过线(3)/TIREAD TAKE UP AND THREADING(3)

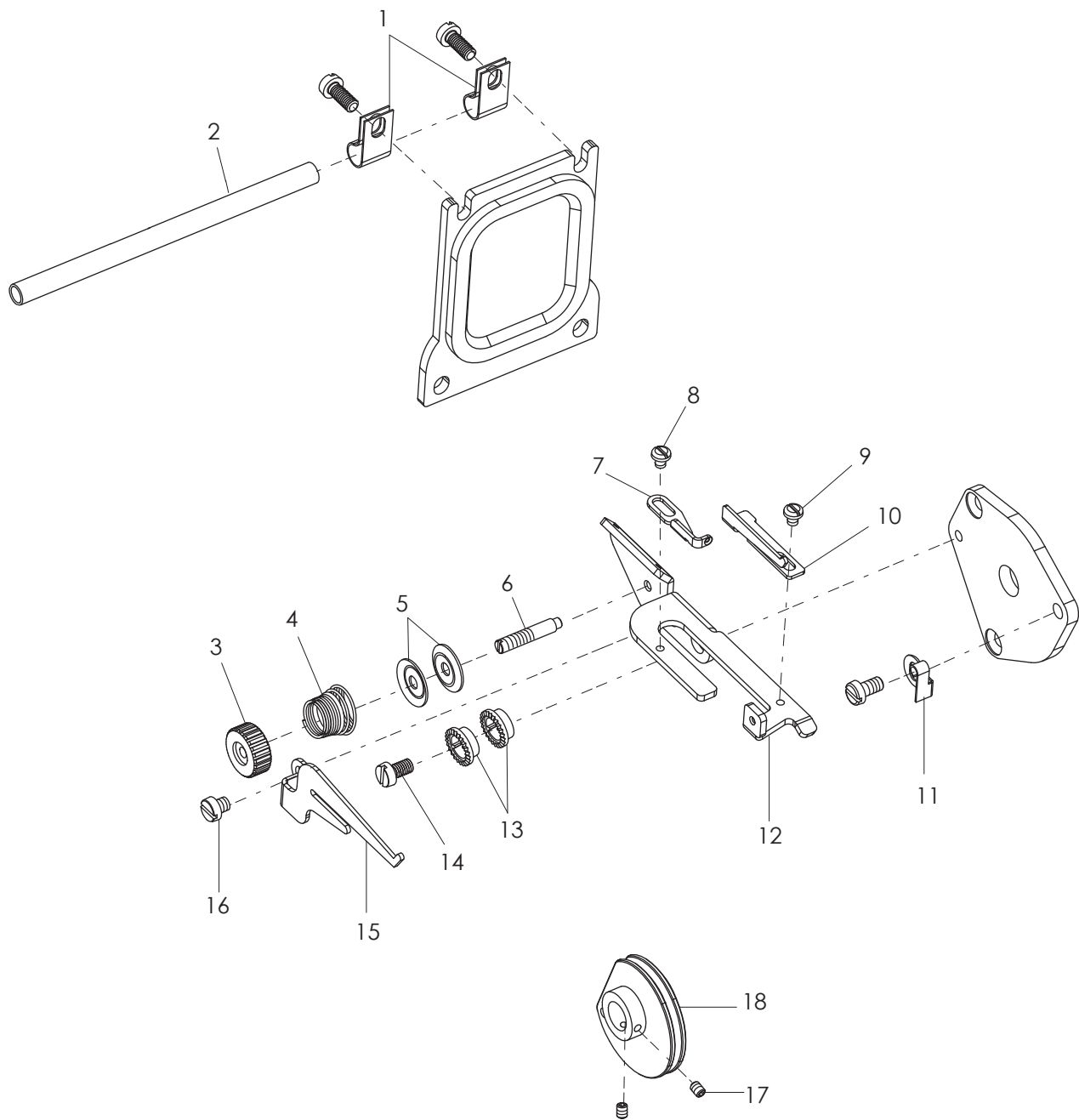


8. 挑线·过线机构(3)

THREAD TAKE UP AND THREADING(3)

序号 No.	件号 Pars No.	名称	Description	数量 Number
1	10009369	上弯针小过线板	small thread guide plate of upper looper	1
2	10009529	螺钉	screw	1
3	10009154	弯针下过线板架	stand of lower thread guide plate	1
4	10009153	上弯针过线板	thread guide plate of upper looper	1
5	10010595	螺钉	screw	2
6	10009013	弯针小过线板	thread guide plate of looper	2
7	10009529	螺钉	screw	2
8	10009599	垫圈	washer	2
9	10009147	上弯针轴内过线板	inner thread guide plate mounted on the shaft	1
10	10009012	上弯针轴外过线板	outer thread guide plate mounted on the shaft	1
11	10009529	螺钉	screw	1
12	10010595	螺钉	screw	1
13	10009018	下弯针过线板	thread guide plate for lower looper	1
14	10009363	螺钉	screw	1
15	10011044	螺钉	screw	2
15	10025482	上弯针过线板	thread guide plate of upper looper	1

9、挑线•过线(4)/TIIREAD TAKE UP AND THREADING(4)

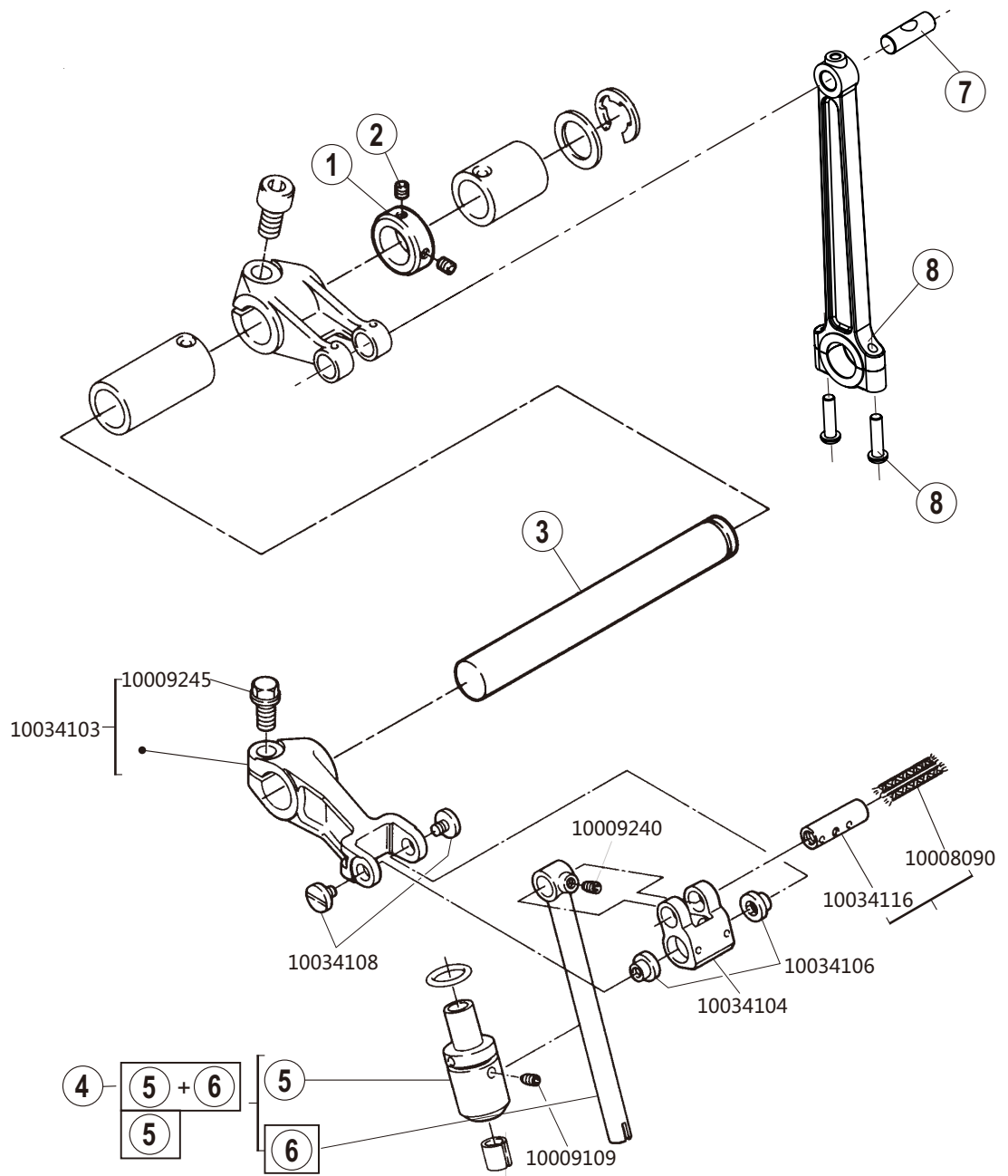


9. 挑线·过线机构(4)

THREAD TAKE UP AND THREADING(4)

序号 No.	件号 Pars No.	名称	Description	数量 Number
1	10010603	过线管夹簧	elastic clamp for thread guide pipe	2
2	10009283	横过线管	horizontal thread guide pipe	1
3	10010609	夹线螺母	thread tension nut	1
4	10010612	弹簧	spring	1
5	10010613	夹线板	thread tension dish	2
6	10010610	螺钉	screw	1
7	10010654	过线架	thread guide plate	1
8	10009529	螺钉	screw	1
9	10009529	螺钉	screw	1
10	10010614	过线板	thread guide plate	1
11	10010596	垫圈	washer	1
12	10010611	夹线架	thread tension stand	1
13	10010596	垫圈	washer	2
14	10010556	螺钉	screw	1
15	10010605	打线架	thread take-up stand	1
16	10004171	螺钉	screw	1
17	10010664	打线凸轮组件	thread take-up cam assembly	1
18	10010196	螺钉	screw	2

10、针杆机构(1)/NEEDLE BAR FRAME(1)

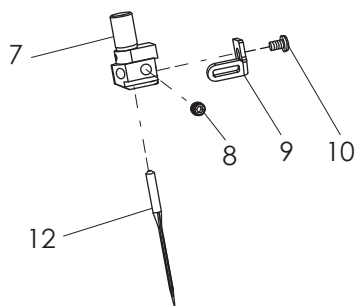
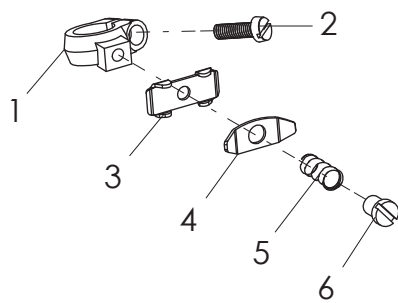


机针驱动机构

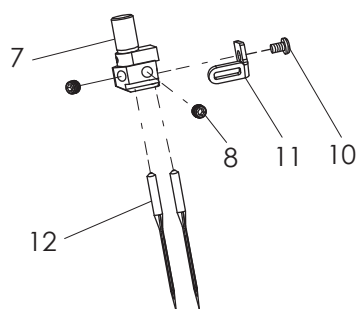
NEEDLE DRIVE MECHANISM

序号 No.	件号 Pars No.	名称	Description	数量 Number
1	10026771	Z-91-103072-05\挡圈	COLLAR	1
2	10010196	Z-91-101735-15\M3×3螺钉	SCREW	2
3	10034102	Z-91-103277-05\轴	SHAFT	1
4	10034150	Z-91-103327-91\针杆组件	BUSHING ASSY	1
5	10034107	Z-91-103282-05\针杆套	BUSHING	1
6	10034105	Z-91-103280-85\针杆	NEEDLE BAR	1
7	10009432	Z-91-102312-05\7×21直针连杆销	PIN FOR CONNECTING ROD	1
8	10002961	Z-91-102073-05\直针传动连杆	CONNECTING ROD FOR NEEDLE BAR	1
9	10002939	Z-91-102310-15\M4×15.5螺钉	SCREW	2

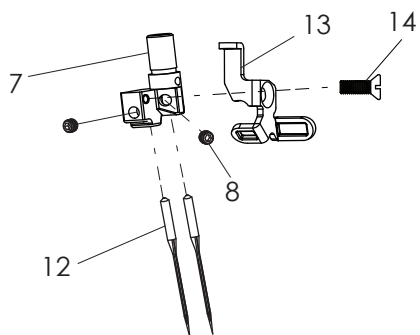
11、针杆机构(2)/NEEDLE BAR FRAME(2)



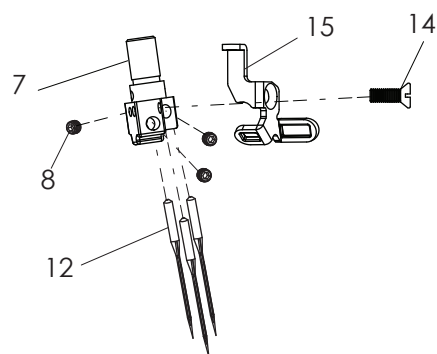
三线



四线



五线



六线

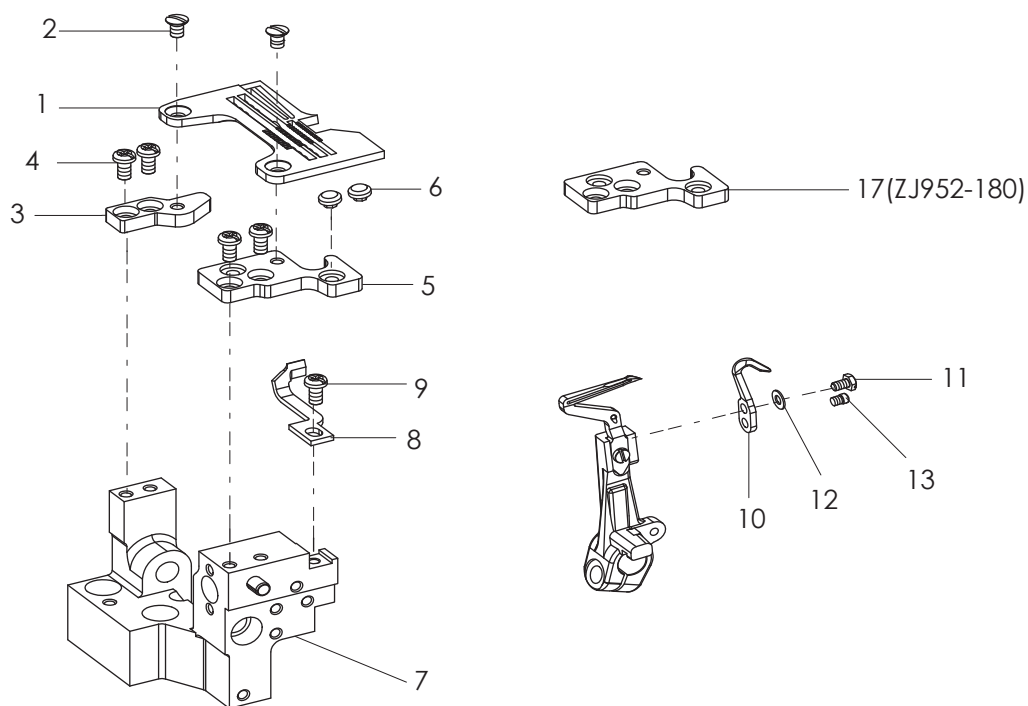
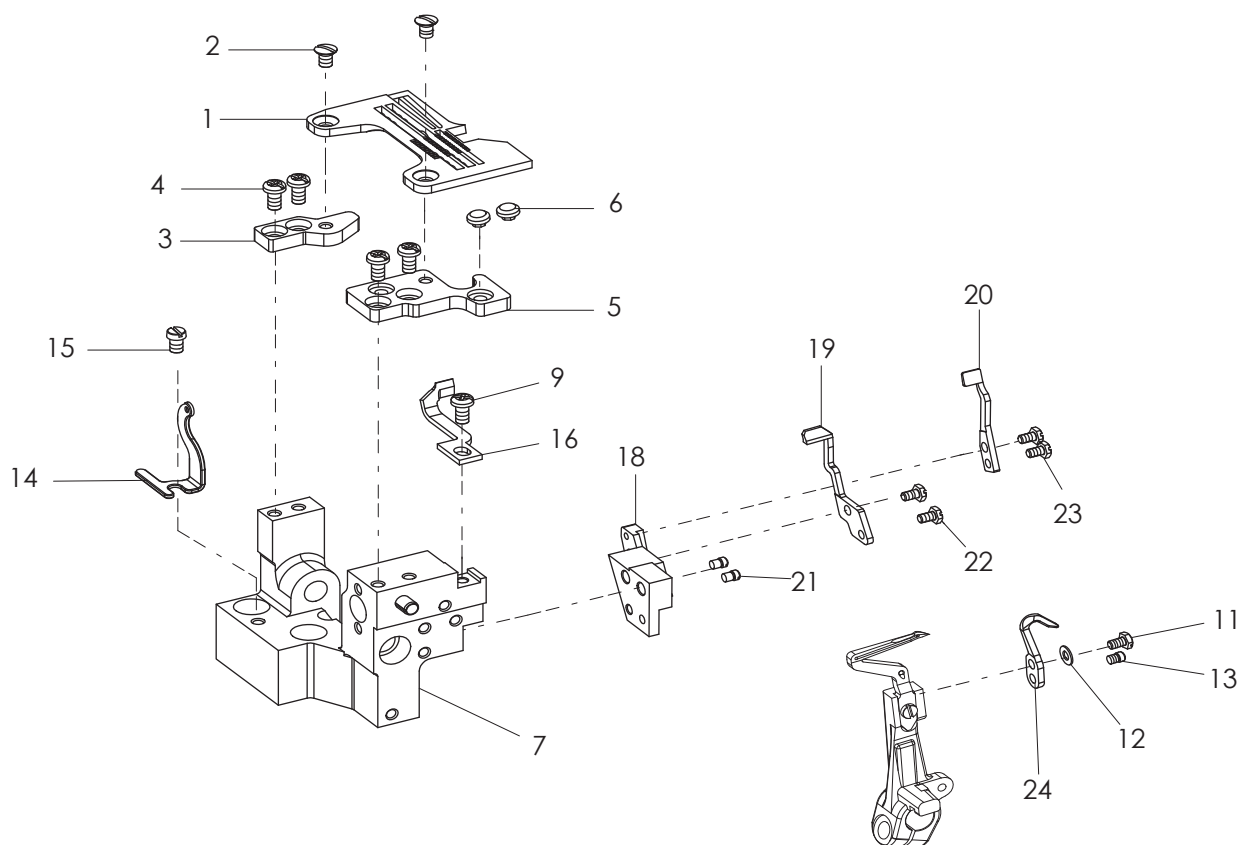
11. 针杆机构(2)

NEEDLE BAR FRAME(2)

序号 No.	件号 Pars No.	名称	Description	数量 Number
1	10009344	针杆头夹	needle bar clamp	1
2	10009382	螺钉	screw	1
3	10009341	下夹线板	lower thread tension plate	1
4	10009384	上夹线板	upper thread tension plate	1
5	10009400	弹簧	spring	1
6	10009383	螺钉	screw	1
7	*	针夹头	needle holder	1
8	10009255	螺钉	screw	*
9	10003431	针夹头过线板	thread guide plate of needleholder	1
10	10009422	螺钉	screw	1
11	10009339	针夹头过线板	thread guide plate of needleholder	1
12	*	机针	needle	1
13	10009644	针夹头过线板	thread guide plate of needleholder	1
14	10009664	螺钉	screw	1
15	10008205	针夹头过线板	thread guide plate of needleholder	1

*:参看专用件表/see the guage list

12、针杆机构(3)/NEEDLE BAR FRAME(3)



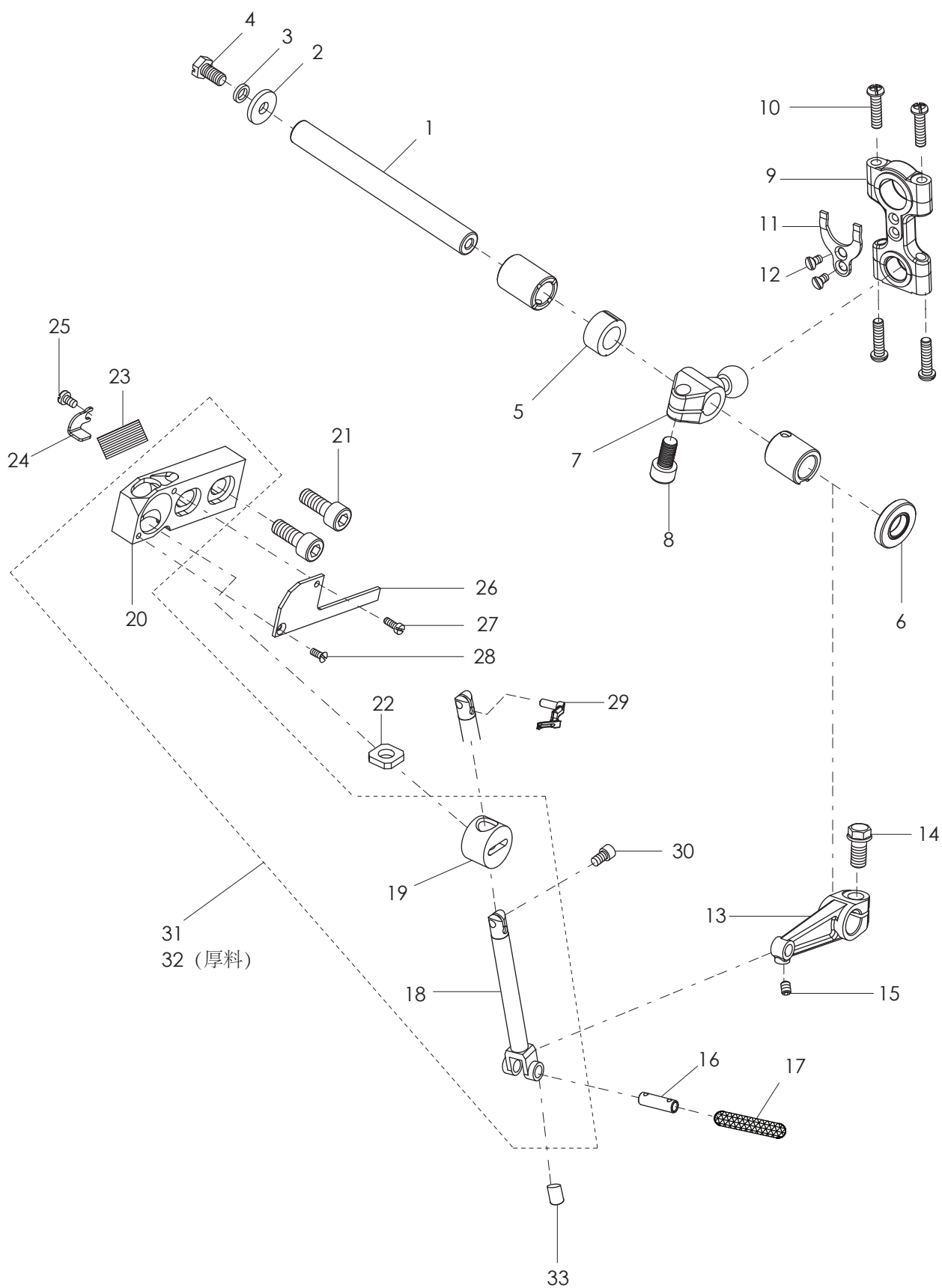
12. 针杆机构(3)

NEEDLE BAR FRAME(3)

序号 No.	件号 Pars No.	名称	Description	数量 Number
1	*	针板	needle plate	1
2	10009290	螺钉	screw	2
3	10009354	针板托	needle plate support	1
4	10010595	螺钉	screw	4
5	10009420	针板座	base of needle guard	1
6	10009582	防震橡胶垫	vibration-proof rubber cushion	2
7	10012905	销	pin	1
8	10009377	直针前护针架	front needle guard	1
9	10010595	螺钉	screw	1
10	10009023	直针后护针	rear needle guard	1
11	10009021	螺钉	screw	1
12	10003274	垫片	washer	1
13	10009020	螺钉	screw	1
14	10009658	链弯针前过线板	frent thread guide	1
15	10004171	螺钉	screw	1
16	10009637	直针前护针架	front needle guard	1
17	10008206	针板座	base of needle guard	1
18	10009306	护针座	needle guard barcket	1
19	10009636	链弯针后护针	rear needle guard	1
20	10009657	链弯针前护针	front needle guard	1
21	10009638	螺钉	screw	2
22	10010555	螺钉	screw	2
23	10010555	螺钉	screw	2
24	10009023	直针后护针	rear needle guard	1

*:参看专用件表/see the guage list

13、上弯针机构/UPPER LOOPER FRAME



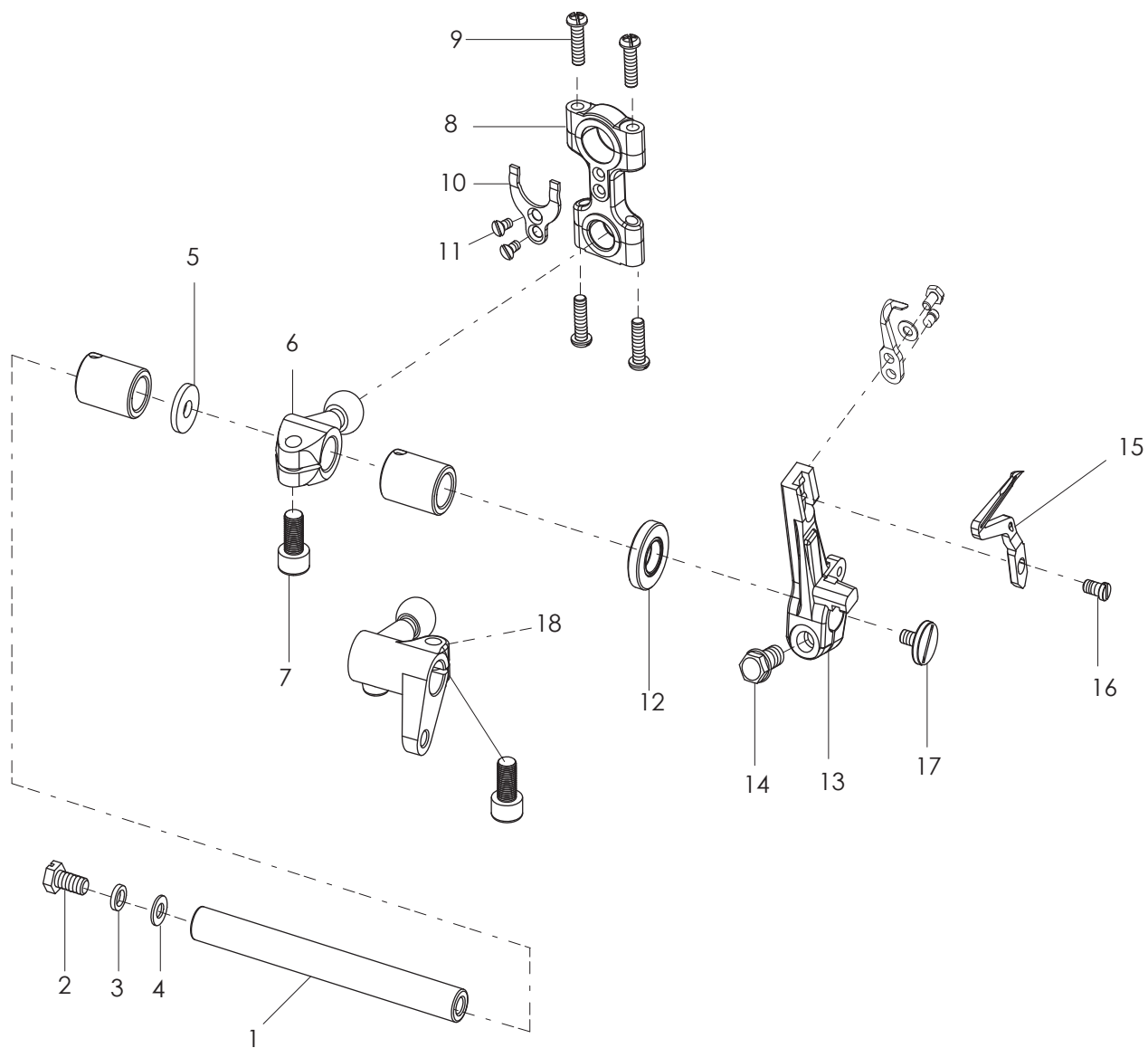
13. 上弯针机构

UPPER LOOPER FRAME

序号 No.	件号 Pars No.	名称	Description	数量 Number
1	10009404	上弯针轴	drive shaft for upper looper	1
2	10033711	垫圈	washer	1
3	10005537	垫圈	washer	1
4	10009349	螺钉	screw	1
5	10009338	挡圈	retaining ring	1
6	10009071	密封圈	seal ring	1
7	10003062	上弯针球曲柄	crank bush with ball head for upper looper	1
8	10009164	螺钉	screw	1
9	10003064	上弯针传动连杆	connecting bar for upper looper drive	1
10	10002939	螺钉	screw for connecting bar	4
11	10009431	连杆挡板	fender for connecting bar	1
12	10009626	螺钉	screw for fender	2
13	10009373	上弯针摇杆	swing bar for upper looper shaft	1
14	10009245	螺钉	screw	1
15	10009240	螺钉	screw	1
16	10009406	销	pin	1
17	10008067	油线	oil wick	1
18	10002913	滑杆	sliding bar	1
19	10002905	滑杆套	sliding bar bush	1
20	10002912	滑杆座	sliding bar bracket	1
21	10009008	螺钉	screw	2
22	10009405	毛毡	felt	1
23	10009375	毛毡	felt	1
24	10009350	毛毡压板	press plate for felt	1
25	10009597	螺钉	screw	1
26	10009370	盖板	cover plate	1
27	10009379	螺钉	screw	1
28	10009353	螺钉	screw	1
29	*	上弯针	upper looper	1
30	10011724	螺钉	screw	1
31	10009351	上弯针滑杆组件	upper looper holder ASSY	1
32	10002424	上弯针滑杆组件	upper looper holder ASSY	1
33	10009376	橡胶塞	rubber plug	1

*:参看专用件表/see the guage list

14、下弯针机构/LOWER LOOPER FRAME



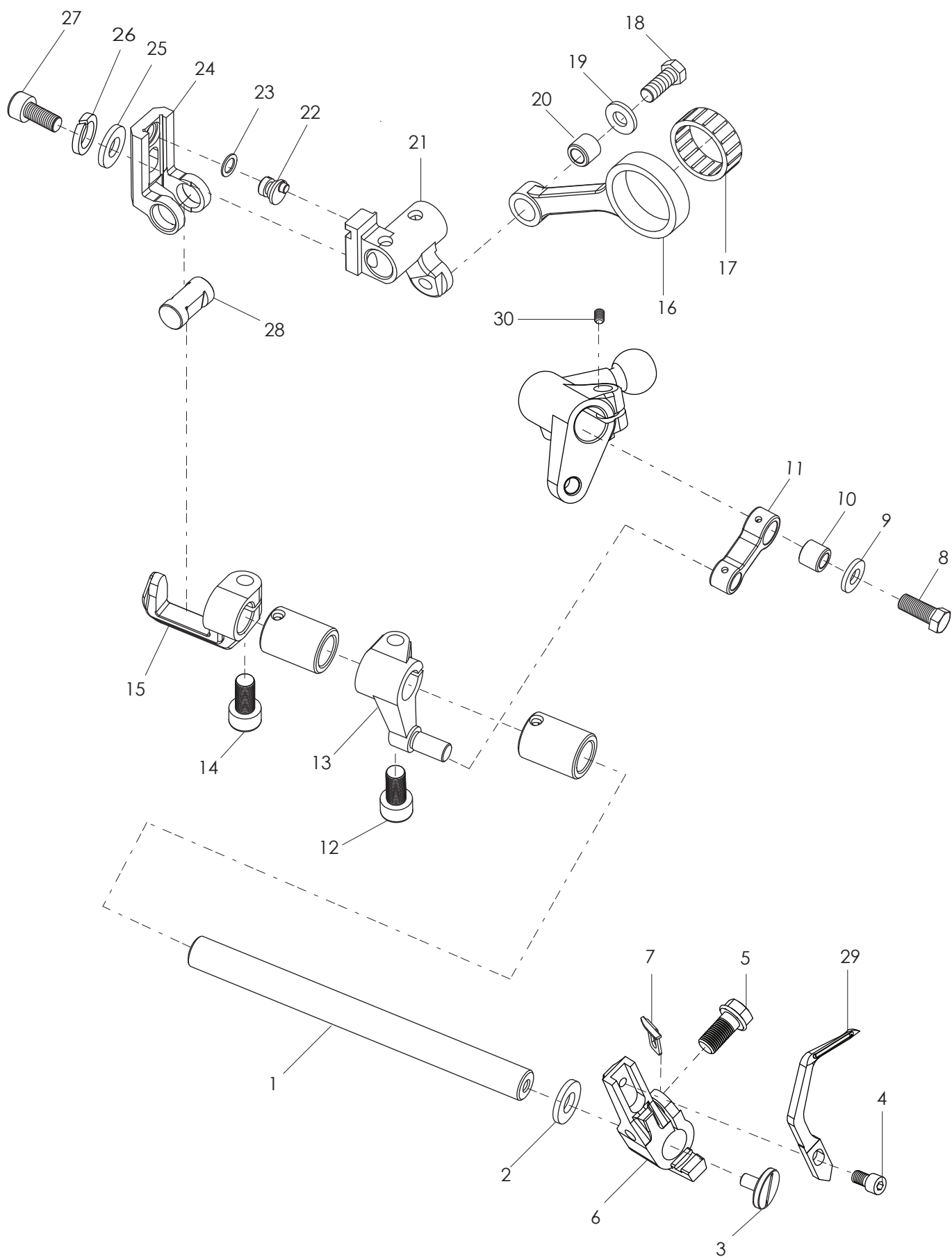
14. 下弯针机构

LOWER LOOPER FRAME

序号 No.	件号 Pars No.	名称	Description	数量 Number
1	10009404	上弯针轴	drive shaft for upper looper	1
2	10009349	螺钉	screw	1
3	10005537	弹簧垫	elastic washer	1
4	10033711	垫圈	washer	1
5	10009232	垫圈	washer	1
6	10003061	下弯针球曲柄	crank bush with ball head for lower looper	1
7	10009245	螺钉	screw	1
8	10003064	下弯针传动连杆	connecting bar for lower looper drive	1
9	10002939	螺钉	screw	4
10	10009431	连杆挡板	fender for connecting bar	1
11	10009626	螺钉	screw	2
12	10009399	油封	seal ring	1
13	10009026	下弯针架	stand for lower looper	1
14	10031107	螺钉	screw	1
15	*	下弯针	lower looper	1
16	10010643	螺钉	screw	1
17	10009394	螺钉	screw	1
18	10002825	链弯针左曲柄	crank bush with chain stitch looper	1

*: 参看专用件表/see the guage list

15、链弯针机构/CHAIN STITCH LOOPER FRAME



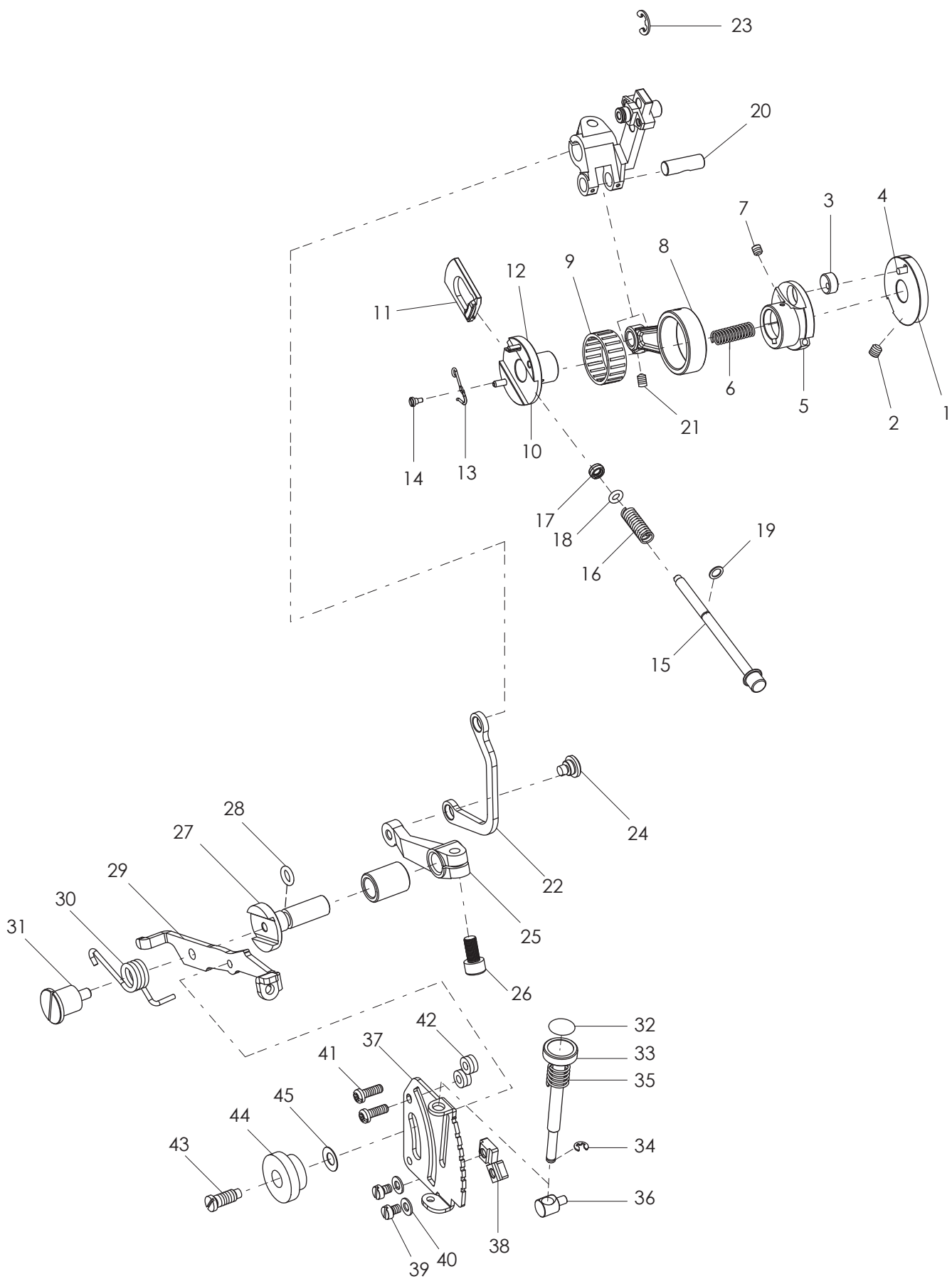
15. 链弯针机构

CHAIN STITCH LOOPER FRAME

序号 No.	件号 Pars No.	名称	Description	数量 Number
1	10009309	链弯针轴	shaft for chain stitch looper	1
2	10009071	密封圈	seal ring	1
3	10009394	螺钉	screw	1
4	10010643	螺钉	screw	2
5	10009310	螺钉	screw	1
6	10009307	链弯针架	stand of chain stitch looper	1
7	10003294	挡片	blocking ring	1
8	10009142	螺钉	screw	2
9	10009192	垫圈	washer	1
10	10023487	连杆销套	needle pin for connecting bar	1
11	10009186	送料连杆	connecting bar of feed dog	1
12	10009245	螺钉	screw	1
13	10009302	摆动曲柄	swing crank	1
14	10009245	螺钉	screw	1
15	10009305	摆动叉	swing fork	1
16	10047854	链弯针传动连杆	connecting bar for chain stitch looper	1
17	10009142	螺钉	screw	1
18	10009192	垫圈	washer	1
19	10023487	连杆销套	needle pin for connecting bar	1
20	10009308	调节曲柄	crank of regulator	1
21	10009311	偏心销	pin	1
22	10009641	O型圈	O ring	1
23	10009303	调节座	base of regulator	1
24	10009192	垫圈	washer	1
25	10005537	垫圈	washer	1
26	10014210	螺钉	screw	1
27	10034624	调节杆轴	shaft of adjusting bar	1
28	*	链弯针	chain stitch looper	1
29	10012162	螺钉	screw	1

*: 参看专用件表/see the guage list

16、送布机构(1)/FEEDING FRAME(1)

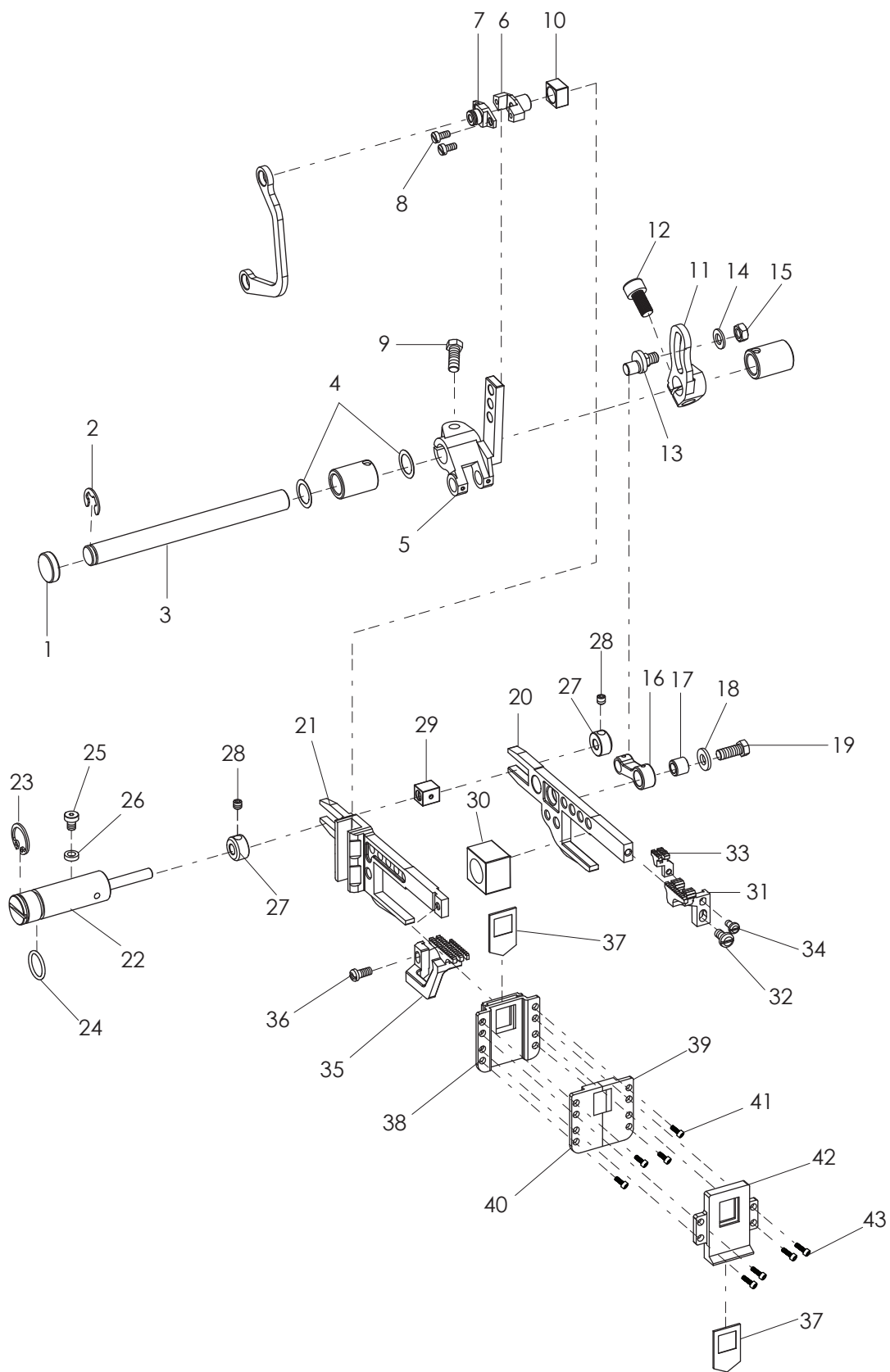


16. 送布机构 (1)

FEEDING FRAME (1)

序号 No.	件号 Pars No.	名称	Description	数量 Number
1	10002977	针距调节偏心轮片	eccentric wheel of stitch length regulator	1
2	10012162	螺钉	screw	2
3	10003218	送布偏心导轮	guiding wheel of feeding eccentric wheel	1
4	10003219	销	pin	1
5	10009327	送布偏心轮	feeding eccentric wheel	1
6	10009326	弹簧	spring	1
7	10013019	螺钉	screw	1
8	10002946	滚针轴承连杆	connecting bar	1
9	10002888	轴承	bearing	1
10	10002885	针距调节凸轮	adjusting cam for stitch length	1
11	10012162	内齿锁紧块	sliding block with inner teeth	1
12	10009298	销	pin	2
13	10002887	扭簧	spring	1
14	10002890	螺钉	screw	1
15	10009249	针距调节按钮轴	button shaft	1
16	10009248	针距按钮轴弹簧	spring	1
17	10009247	油封	oil seal	1
18	10009246	垫圈	washer	1
19	10003248	挡圈	retaining spring	1
20	10009165	销	pin	1
21	10009109	螺钉	screw	1
22	10002593	差动调节右曲柄	right crank of differential regulator	1
23	10008989	开口挡圈	click-in spring	1
24	10009624	螺钉	screw	1
25	10009256	差动调节左曲柄	left crank of differential regulator	1
26	10009164	螺钉	screw	1
27	10034607	差动调节轴	shaft of differential regulator	1
28	10009608	O型圈	O ring	1
29	10009224	调节杆	adjusting bar	1
30	10009563	扭簧	torsion spring	1
31	10009558	螺钉	screw	1
32	10009216	指示标贴	logo plate	1
33	10009218	微调螺柱	screw	1
34	10003248	开口挡圈	click-in spring	1
35	10009205	弹簧	spring	1
36	10009203	螺母	nut	1
37	10009223	调节指示板	indication plate of adjustment	1
38	10009221	限位块	position plate	2
39	10010554	螺钉	screw	2
40	10003083	垫片	washer	2
41	10009037	螺钉	screw	1
42	10009200	垫圈	washer	1
43	10009562	螺钉	screw	1
44	10009565	螺母	nut	1
45	10009564	垫片	washer	1
46	10003824	O形圈	O ring	1

17、送布机构(2)/FEEDING FRAME(2)

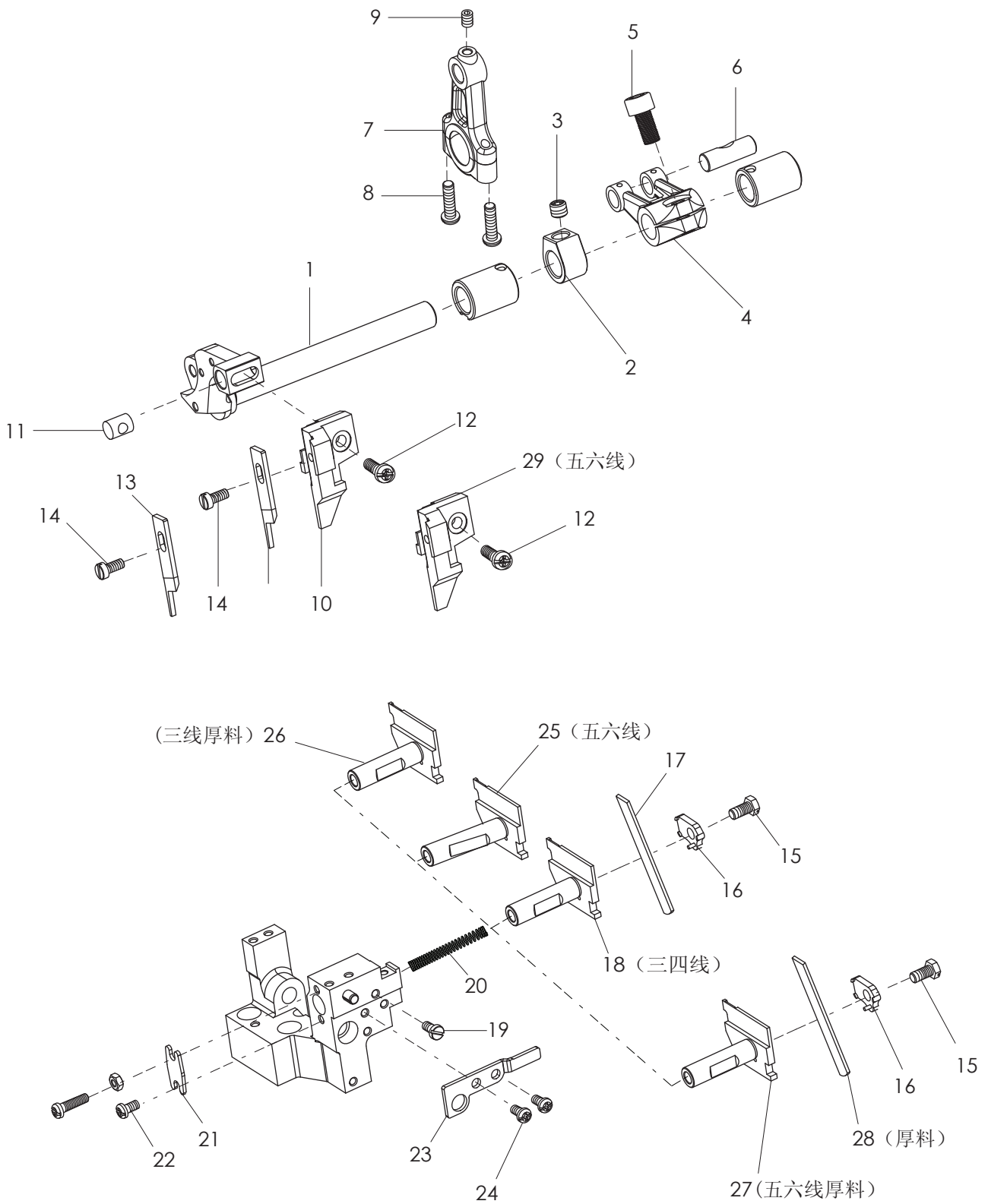


17. 送布机构(2)

FEEDING FRAME(2)

序号 No.	件号 Pars No.	名称	Description	数量 Number
1	10008961	橡胶塞	rubber plug	1
2	10009239	挡圈	retaining spring	1
3	10009198	送料轴	feeding shaft	1
4	10033709	垫片	washer	2
5	10002593	差动调节右曲柄	right crank of differential regulator	1
6	10002592	曲柄滑槽	crank slide trollgh	1
7	10002591	曲柄滑槽盖	crank slide trollgh cover	1
8	10009625	螺钉	screw	2
9	10009164	螺钉	screw	1
10	10009139	差动牙架滑块	sliding block	1
11	10009194	方口曲柄	crank with rectangular shaft	1
12	10009164	螺钉	screw	1
13	10009193	送料连杆销	pin with thread for feeding connecting rod	1
14	10009192	垫圈	washer	1
15	10009467	螺母	nut	1
16	10009186	送料连杆	feeding connecting rod	1
17	10009169	连杆销套	bush connecting rod	1
18	10009192	垫圈	washer	1
19	10009142	螺钉	screw	1
20	10009141	送料牙架	stand of feed dog	1
21	10009140	差动牙架	stand of differential feed dog	1
22	10009137	抬牙调节偏心轴	eccentric shaft	1
23	10009136	开口挡圈	click-in spring	1
24	10009135	O型圈	O ring	1
25	10009117	螺钉	screw	1
26	10009114	橡胶垫	rubber cushion	1
27	10009166	挡圈	washer	2
28	10009074	螺钉	screw	2
29	10009134	抬牙调节滑块	sliding block	1
30	10009133	抬牙滑块	sliding block for feed dog lifting	1
31	*	主送料牙	body of main feed dog	1
32	10009586	螺钉	screw	1
33		辅助送料牙	assistant feed dog	1
34	10010555	螺钉	screw	1
35	*	差动送料牙	differential feed dog	1
36	10009586	螺钉	screw	1
37	10037823	牙架油封	oil seal	2
38	10036169	牙架导板组件	guiding plate of feed dog stand	1
39	10009102	螺钉	screw	4
40	10009161	外油封架	outer oil seal stand	1
41	10002975	螺钉	screw	4
42	10009081	牙架油封	oil seal	2

18、切料机构/FABRIC EDGE CUTTING FRAME



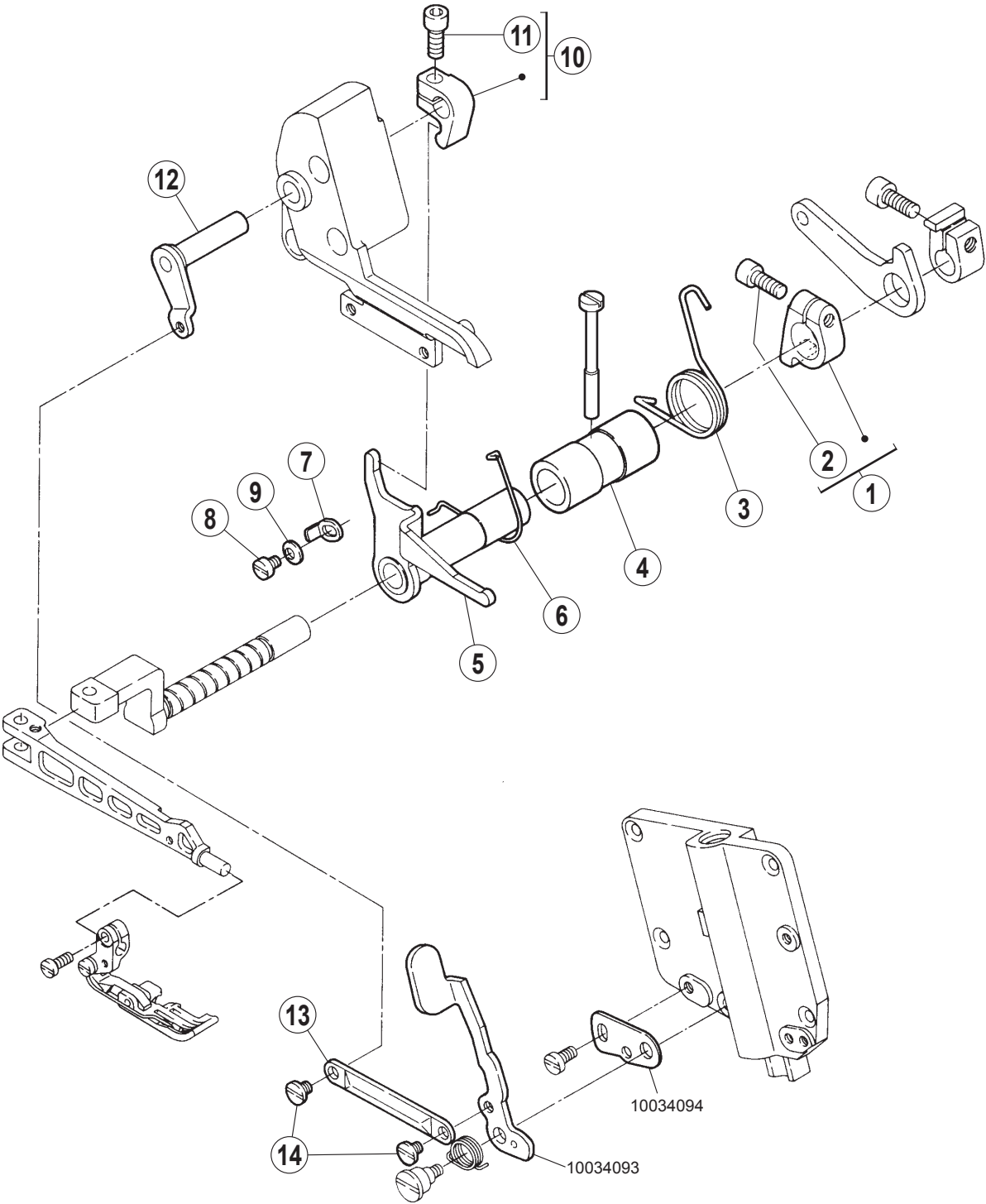
18. 切料机构

FABRIC EDGE CUTTING FRAME

序号 No.	件号 Pars No.	名称	Description	数量 Number
1	10009073	上刀轴	shaft of upper knife drive	1
2	10009078	上刀轴挡圈	retaining ring	2
3	10009076	螺钉	screw	2
4	10009434	上刀轴曲柄	crank of upper knife drive	1
5	10009164	螺钉	screw	1
6	10009432	直针连杆销	pin for connecting bar	1
7	10002942	上刀轴传动连杆	connecting bar of upper knife drive	1
8	10002939	螺钉	screw	1
9	10009109	螺钉	screw	1
10	10009068	上刀架	upper knife holder	1
11	10009070	上刀架紧固销	fastening pin for upper knife holder	1
12	10009037	螺钉	screw	1
13	*	上刀	upper knife	1
14	10009115	螺钉	screw	1
15	10009349	螺钉	screw	1
16	10009043	下刀压板	press plate for lower knife	1
17	*	下刀	lower knife	1
18	10009045	下刀架	lower knife holder	1
19	10009042	螺钉	screw	1
20	10014399	下刀弹簧	spring for lower knife	1
21	10009041	弹簧挡板	fender of spring	1
22	10010595	螺钉	screw	1
23	10009040	挡板	fender	1
24	10010595	螺钉	screw	2
25	10009301	下刀架	lower knife holder	1
26	10008165	下刀架	lower knife holder	1
27	10023652	下刀架	lower knife holder	1
28	10009656	上刀架	upper knife holder	1

*: 参看专用件表/see the guage list

19、压脚机构/PRESSER FOOT FRAME

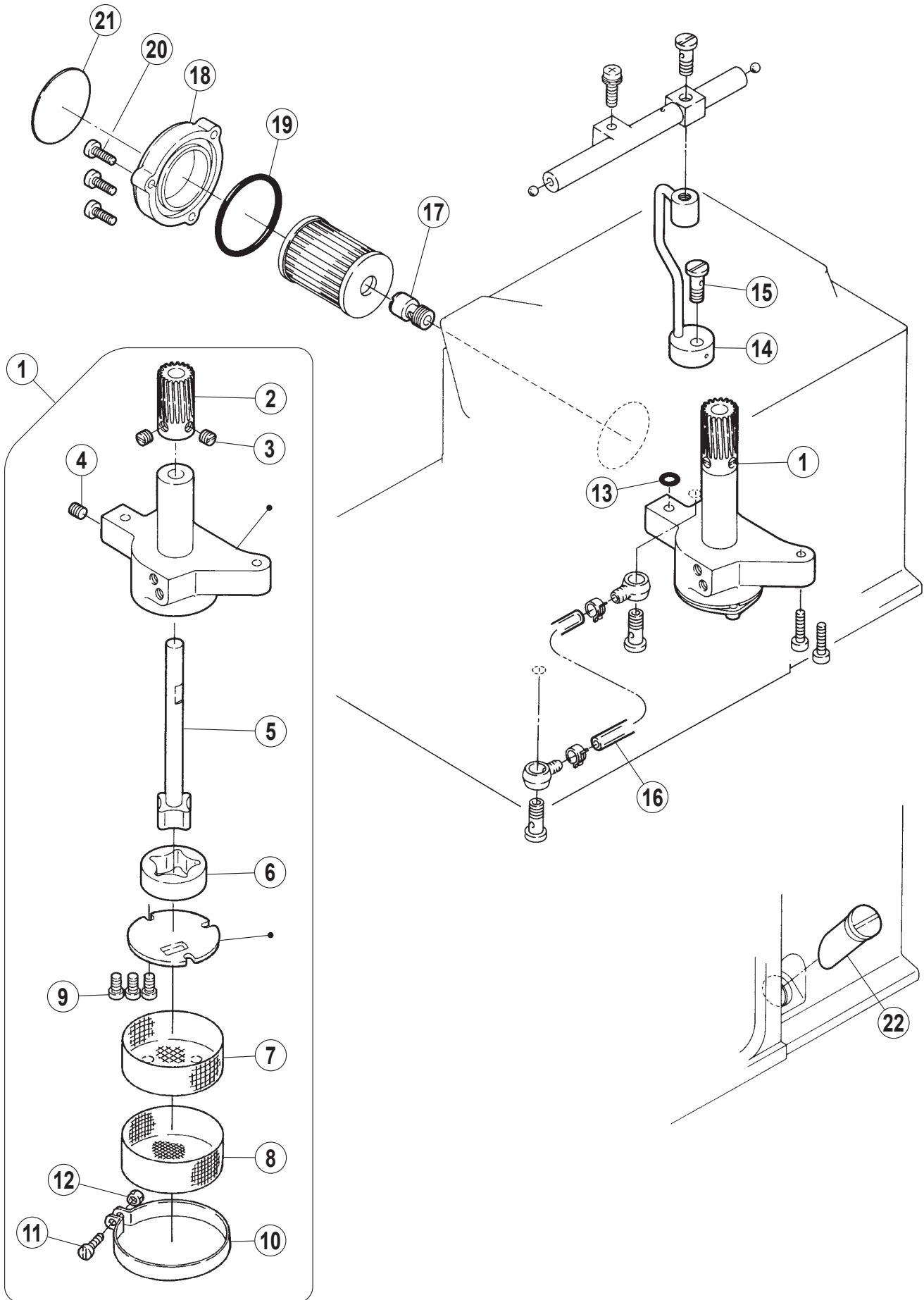


压脚机构

PRESSER FOOT MECHANISM

序号 No.	件号 Pars No.	名称	Description	数量 Number
1	10034109	Z-91-103284-15\曲柄	COLLAR	1
2	10009616	Z-91-101109-15\M6×0.75×14螺钉	BOLT	1
3	10034134	Z-91-103311-15\弹簧	SPRING	1
4	10034097	Z-91-103270-05\压脚轴套	BUSHING	1
5	10034099	Z-91-103273-05\抬牙架轴套	LEVER	1
6	10034133	Z-91-103310-15\弹簧	SPRING	1
7	10034098	Z-91-103271-15\止动板	STOPPER	1
8	10010554	Z-91-101021-15\M4×5.50螺钉	SCREW	1
9	10009464	Z-91-101372-15\垫圈	SPRING	1
10	10034096	Z-91-103269-05\曲柄	LEVER	1
11	10014210	Z-91-101228-15\M5×12螺钉	BOLT	1
12	10034095	Z-91-103268-15\曲柄	LEVER	1
13	10034100	Z-91-103275-15\连杆	LINK	1
14	10034101	Z-91-103276-15\螺钉	SCREW	1

20、润滑机构(1)/LUBRICATION FRAME(1)

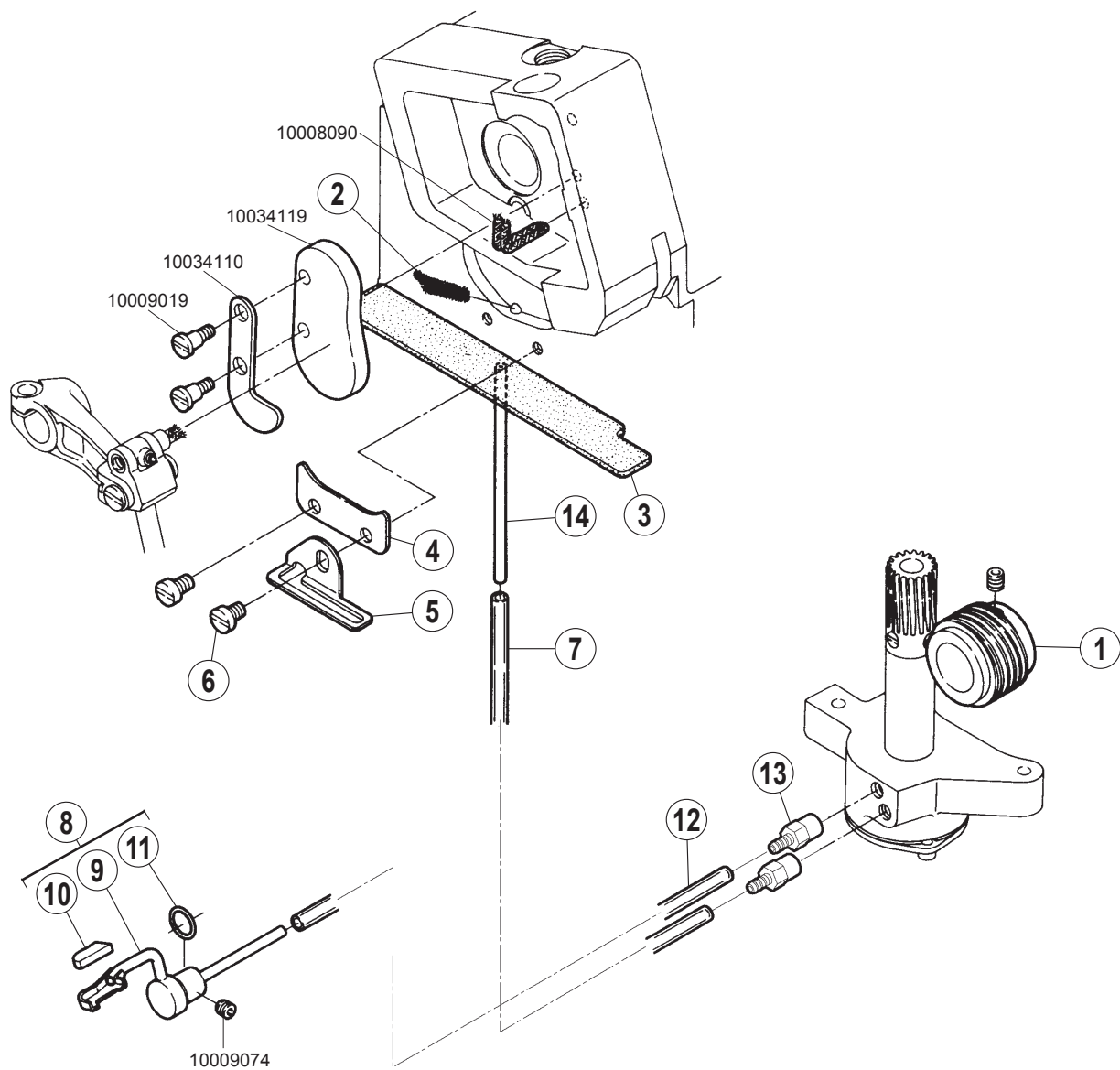


润滑机构

LUBRICATION MECHANISM

序号 No.	件号 Pars No.	名称	Description	数量 Number
1	10026648	Z-91-103107-91\油泵组件	OIL PUMP ASSY	1
2	10002607	Z-91-102237-05\斜齿轮	WORM WHEEL	1
3	10012162	Z-91-101046-15\M5×5螺钉	SCREW	1
4	10010907	Z-91-134177-15\M6×6螺钉	SCREW	
5	10003196	Z-91-101198-05\油泵轴	ROTOR (INSIDE) SHAFT	1
6	10003197	Z-91-101200-05\油泵外转子	ROTOR (OUTSIDE)	1
7	10003201	Z-91-101205-05\内过滤网	FILTER	1
8	10003199	Z-91-101206-05\外过滤网	FILTER	1
9	10009589	Z-91-101202-15\M3.5×6螺钉	SCREW	3
10	10003200	Z-91-101203-15\紧固圈	CLAMP	1
11	10003203	Z-91-101204-15\M3×9.5螺钉	SCREW	1
12	10003025	Z-12-003005-15\M3螺母	NUT	1
13	10003826	Z-15-301002-05\6×1.8-G-N0形圈	O RING	1
14	10034155	Z-91-103332-91\油管组件	OIL DISTRIBUTER	1
15	10009592	Z-91-101211-15\螺钉接头	JOINT SCREW	1
16	10007796	Z-19-101004-05\φ4×φ6油管	OIL TUBE	1
17	10026644	Z-91-103034-05\螺钉接头	JOINT	1
18	20008187	Z-91-103111-75-001\滤油器盖	COVER	1
19	10026756	Z-91-103112-75-004\O型圈	O RING	1
20	10009037	Z-91-101321-15\M4×12螺钉	SCREW	1
21			FILTER SEAL	1
22	10026763	Z-91-103017-05\油窗	OIL LEVEL GUAGE	1

21、润滑机构(2)/LUBRICATION FRAME(2)

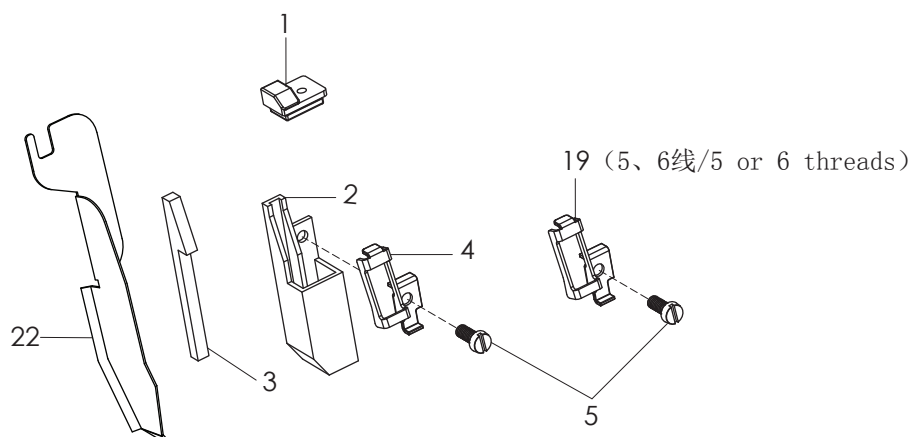


润滑机构(2)

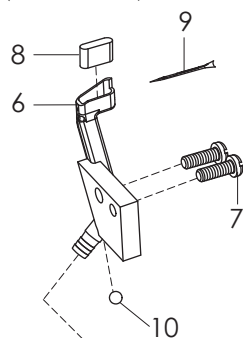
LUBRICATION MECHANISM

序号 No.	件号 Pars No.	名称	Description	数量 Number
1	10009362	Z-91-102084-05\蜗杆	WORM	1
2			OIL WICK	1
3	10034113	Z-91-103288-05\毛毡	FELT	1
4	10034111	Z-91-103286-15\盖	COVER	1
5	10034112	Z-91-103287-15\毛毡压板	SPACER	1
6	10010554	Z-91-101021-15\M4×5.50螺钉	SCREW	2
7	10007793	Z-19-101001-05\φ2.8×φ5油管	TUBE	1
8	20011619	Z-91-103362-91\针杆回油架组件	JOINT ASSY	1
9	10034154	Z-91-103331-91\针杆回油架组件	JOINT	1
10	10008991	Z-91-102258-05\油毡	FELT	1
11	10009608	Z-91-101153-75-004\6×20形圈	O RING	1
12	10007793	Z-19-101001-05\φ2.8×φ5油管	TUBE	1
13	10009591	Z-91-101212-05\螺钉接头	JOINT	2
14	10010438	Z-91-101009-05\3铜管	EXHAUST OIL DISTRIBUTOR	1

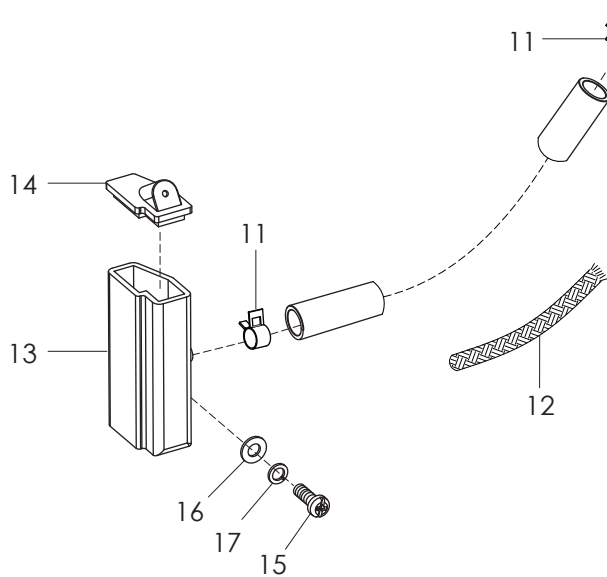
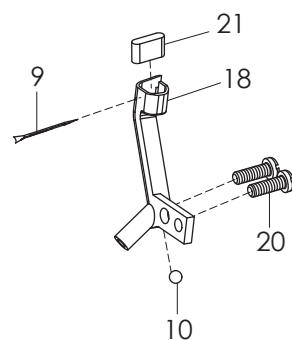
22、H•R装置/HOUSING FRAME



3、4线 (3、4 threads)



5、6线 (5、6 threads)

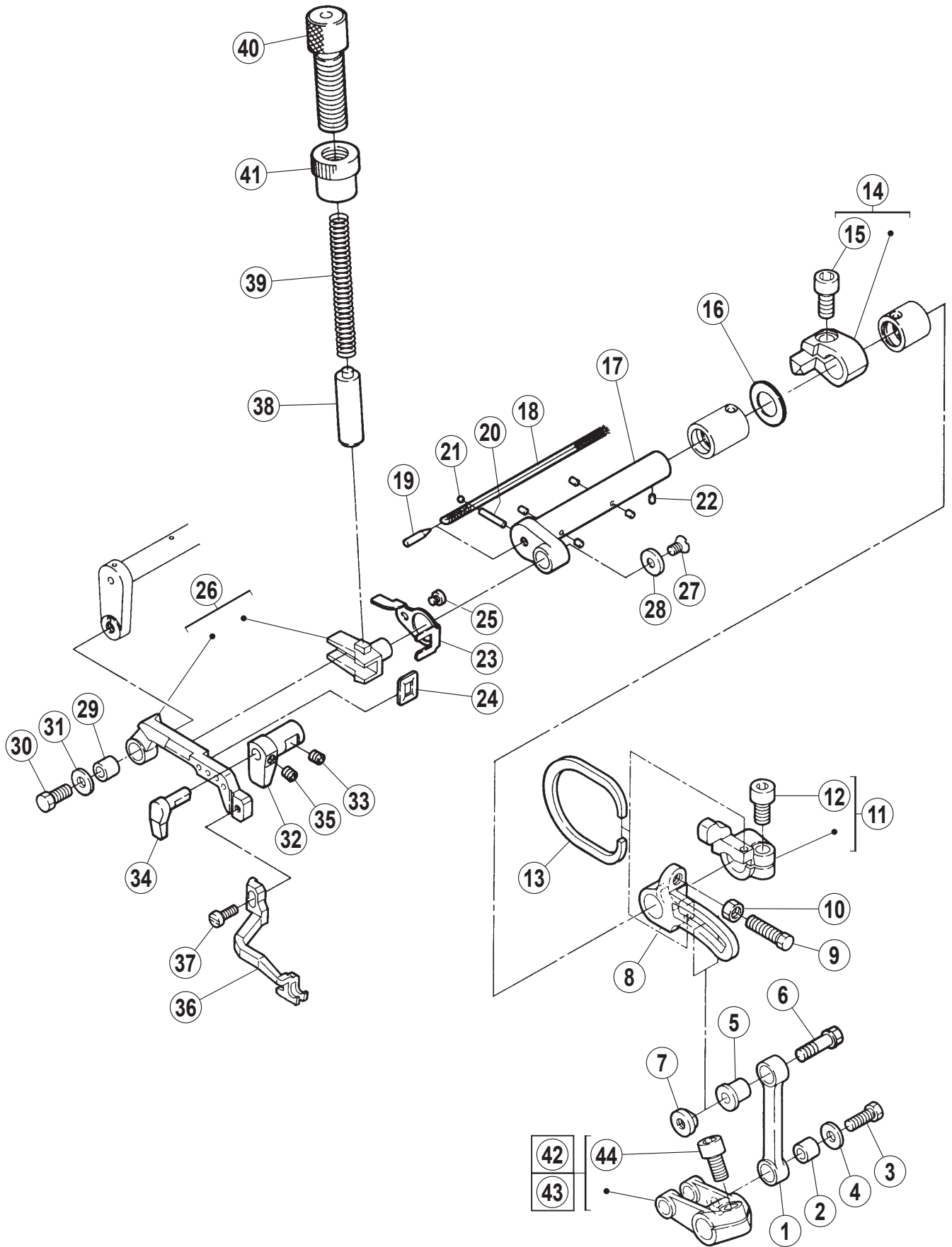


22. H. R装置

HR DEVICE

序号 No.	件号 Pars No.	名称	Description	数量 Number
1	10008925	盒盖	box cover	1
2	10009094	上硅油盒	upper silicon oil box	1
3	10008924	毛毡	felt	1
4	10008923	毛毡压板	presser plate for felt	1
5	10009104	螺钉	screw	1
6	10008931	硅油盒	silicon oil box	1
7	10009037	螺钉	screw	2
8	10008922	毛毡	felt	1
9	10003344	大头针	pin	1
10	10009826	钢球	steel ball	1
11	10011471	紧固圈	fastening ring	2
12	10008072	油线	oil wick	1
13	10008971	下硅油盒	lower silicon oil box	1
14	10008883	盒盖	box cover	1
15	10002934	螺钉	screw	1
16	10003133	垫圈	washer	1
17	10009503	垫圈	washer	1
18	10009661	硅油盒	silicon oil box	1
19	10023474	毛毡压板	presser plate for felt	1
20	10009042	螺钉	screw	2
21	10009659	毛毡	felt	1
22	10008884	挡油板	seal plae	1

23、上送布机构(1)/TOP FEED MECHANISM(1)

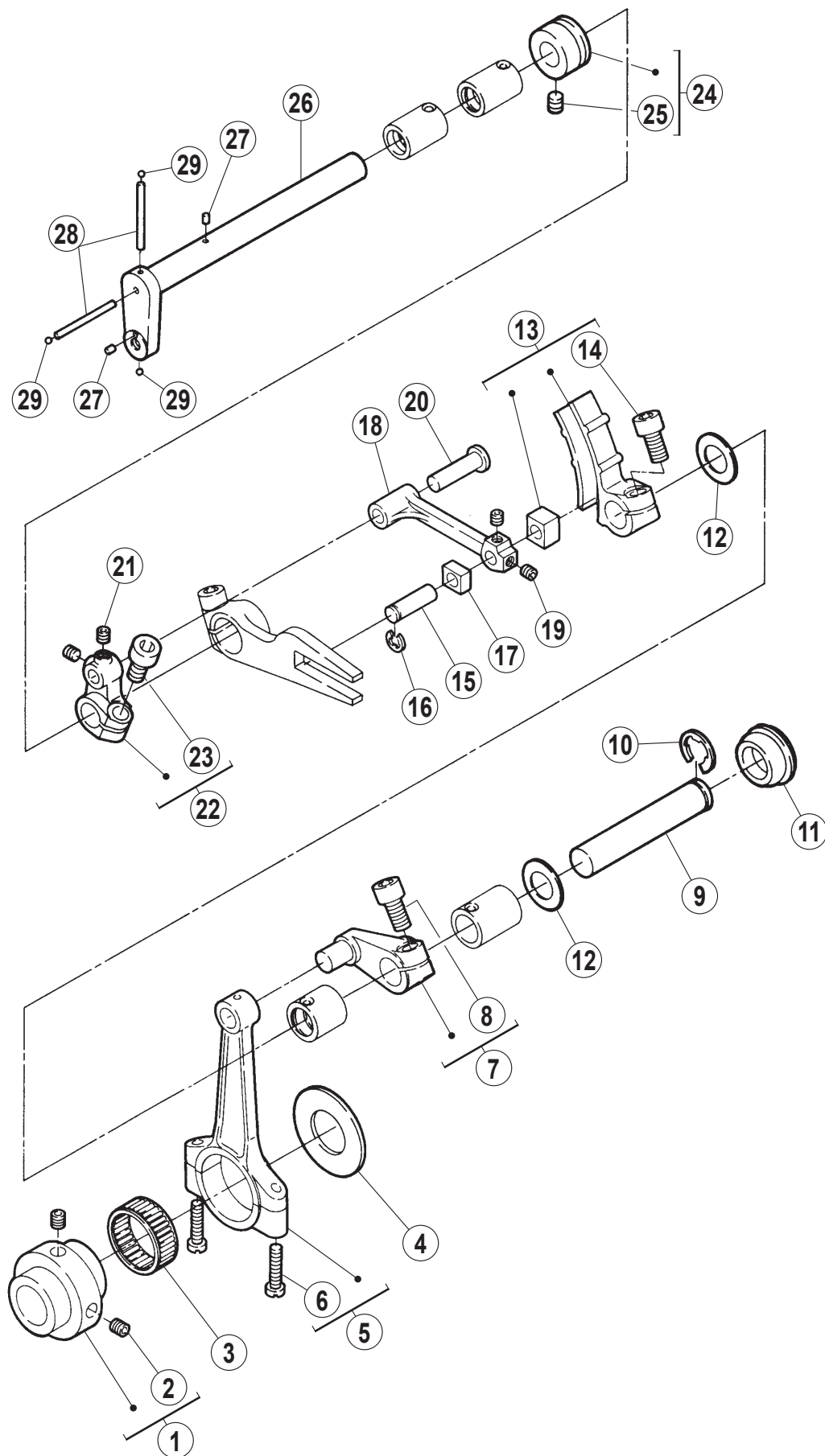


23、上送料机构(1)

TOP FEED MECHANISM(1)

序号 No.	件号 Pars No.	名称	Description	数量 Number
1	10034054	Z-91-103221-05\连杆	LINK	1
2	10009169	Z-91-102160-05\连杆销套	BUSHING	1
3	10009142	Z-91-102162-15\M5×0.5-6h×12.5螺钉	BOLT	1
4	10009192	Z-91-102161-05\5.3×11×1.4垫圈	WASHER	1
5	10034055	Z-91-103225-05\连杆销套	BUSHING	1
6	10034132	Z-91-103309-15\螺钉	BOLT	1
7	10034056	Z-91-103226-05\螺母	NUT	1
8	10034057	Z-91-103227-05\曲柄	CRANK	1
9	10035662	Z-91-103390-15\螺钉	BOLT	1
10	10035663	Z-91-103391-15\螺母	NUT	1
11	10034060	Z-91-103230-05\曲柄	COLLAR	1
12	10009164	Z-91-101137-15\M6×0.75×12螺钉	BOLT	1
13	10034061	Z-91-103231-15\平面弹簧	FLAT SPRING	1
14	10034062	Z-91-103232-05\曲柄	COLLAR	1
15	10009616	Z-91-101109-15\M6×0.75×14	BOLT	1
16	10009477	Z-91-102211-05\12.2×16.2×0.2垫圈	WASHER	1
17	10034063	Z-91-103233-05\曲柄轴	CRANKSHAFT	1
18	10008101	Z-19-202004-05\Φ2油线	OIL WICK	1
19	10037445	Z-91-103403-05\油线销	PIN	1
20	10008101	Z-19-202004-05\Φ2油线	FELT	1
21			BALL	1
22	10009397	Z-91-101355-05\4.8毛毡	FELT	5
23	10034122	Z-91-103298-15\上牙架油封	GUIDE/FEED BAR OIL SEAL	1
24	10034114	Z-91-103290-05\油封	OIL SEAL	1
25	10011257	Z-91-134075-15\M3×2.5螺钉	SCREW	1
26	10037437	Z-91-103396-91\上送布牙架组件	TOP FEED BAR ASSY	1
27	10009195	Z-91-101687-15\M4×7.80螺钉	SCREW	1
28	10034065	Z-91-103235-05\垫圈	WASHER	1
29	10009169	Z-91-102160-05\连杆销套	BUSHING	1
30	10009142	Z-91-102162-15\M5×0.5-6h×12.5螺钉	BOLT	1
31	10009192	Z-91-102161-05\5.3×11×1.4垫圈	WASHER	1
32	10034064	Z-91-103234-05\上送布架内导向板	GUIDE/TOP FEED BAR	1
33	10009074	Z-91-101066-15\M4×4螺钉	SCREW	1
34	10034115	Z-91-103291-05\上送布架外导向板	GUIDE/TOP FEED BAR	1
35	10009074	Z-91-101066-15\M4×4螺钉	SCREW	1
36	10034121	Z-91-103297-05\上送布齿	TOP FEED DOG	1
37	10009487	Z-91-101375-15\M3.5×10螺钉	SCREW	1
38	10034120	Z-91-103296-05\压棒	PRESSER BAR	1
39	10034151	Z-91-103328-15\弹簧	SPRING	1
40	10034152	Z-91-103329-15\调压螺钉	SCREW	1
41	10034123	Z-91-103299-15\螺母	NUT	1
42			CRANK	1
43	10034066	Z-91-103236-05\上刀曲柄	CRANK	1
44	10009164	Z-91-101137-15\M6×0.75×12螺钉	BOLT	1

24、上送料机构(2)/TOP FEED MECHANISM(2)

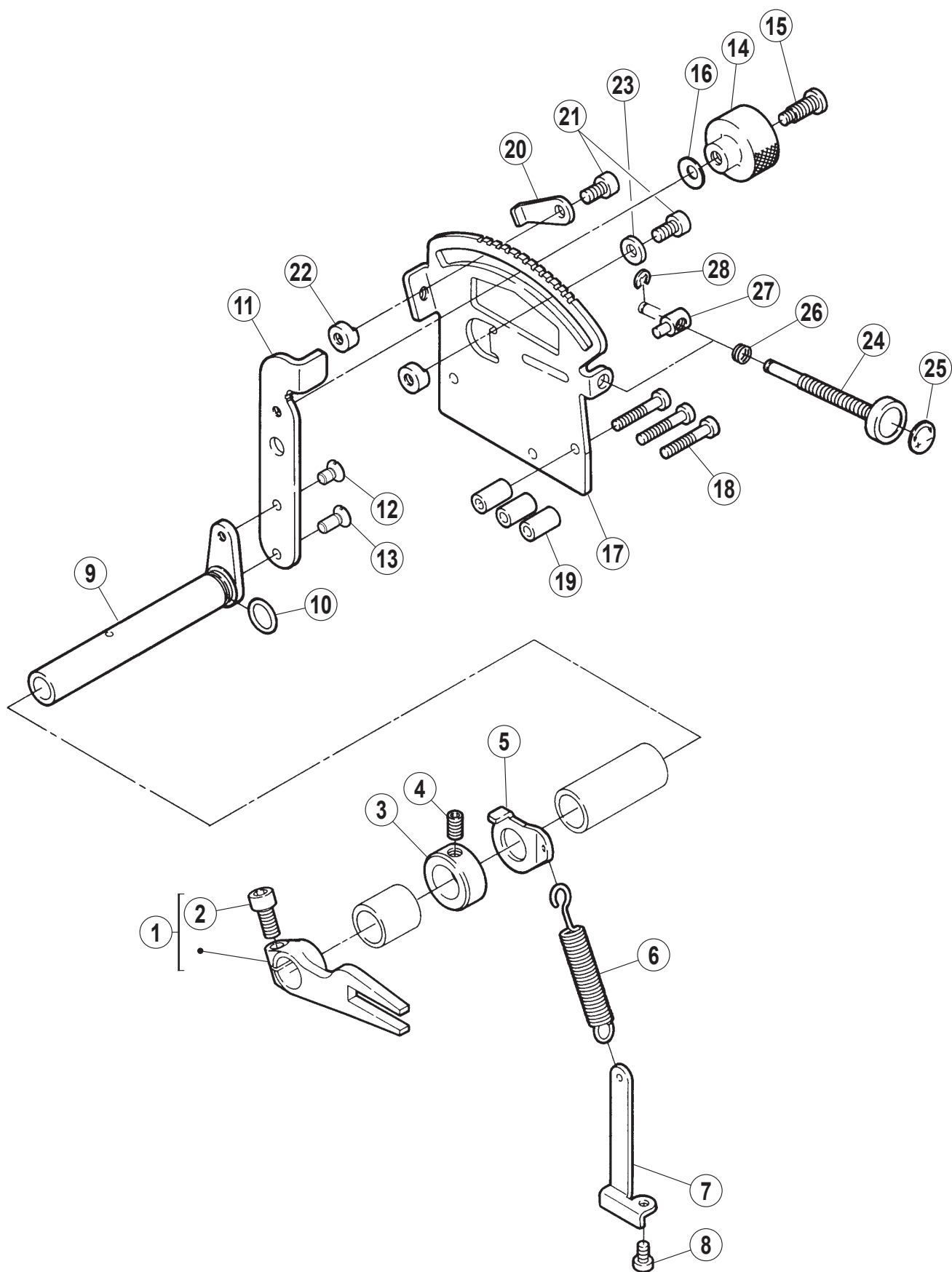


24、上送料机构(2)

TOP FEED MECHANISM(2)

序号 No.	件号 Pars No.	名称	Description	数量 Number
1	10034067	Z-91-103237-05\偏心轮	ECCENTRIC	1
2	10012162	Z-91-101046-15\M5×5螺钉	SCREW	2
3			NEEDLE PIN	1
4	10034069	Z-91-103239-05\挡圈	WASHER	1
5	10034068	Z-91-103238-05\滚针轴承连杆	CONNECTION	1
6	10001046	Z-94-174458-15\M4×18螺钉	SCREW	2
7	10034070	Z-91-103240-05\曲柄	CRANK	1
8	10009164	Z-91-101137-15\M6×0.75×12螺钉	BOLT	1
9	10034071	Z-91-103241-05\轴	SHAFT	1
10	10003273	Z-12-606007-15\8挡圈	RETAINING RING	1
11	10008964	Z-91-102291-75-004\橡胶塞	PLUG	1
12	10009477	Z-91-102211-05\12.2×16.2×0.2垫圈	WASHER	1
13	10037436	Z-91-103393-91\弧型调节曲柄组件	CRANK ASSY	1
14	10009164	Z-91-101137-15\M6×0.75×12螺钉	BOLT	1
15	10034074	Z-91-103244-05\销	PIN	1
16	10009653	Z-12-606003-15\4挡圈	RETAINING RING	1
17	10034124	Z-91-103301-05\滑块	BLOCK	1
18	10034131	Z-91-103308-05\连杆	LINK	1
19	10009074	Z-91-101066-15\M4×4螺钉	SCREW	2
20	10034075	Z-91-103245-05\销	PIN	1
21	10009074	Z-91-101066-15\M4×4螺钉	SCREW	2
22	10034076	Z-91-103246-05\曲柄	CRANK	1
23	10009164	Z-91-101137-15\M6×0.75×12螺钉	BOLT	1
24	10034077	Z-91-103247-05\挡圈	COLLAR	1
25	10012162	Z-91-101046-15\M5×5螺钉	SCREW	1
26	10034078	Z-91-103248-05\曲柄轴	CRANKSHAFT	1
27			FELT	1
28			FELT	1
29			BALL	1

25、上送布机构(3)/ TOP FEED MECHANISM(3)

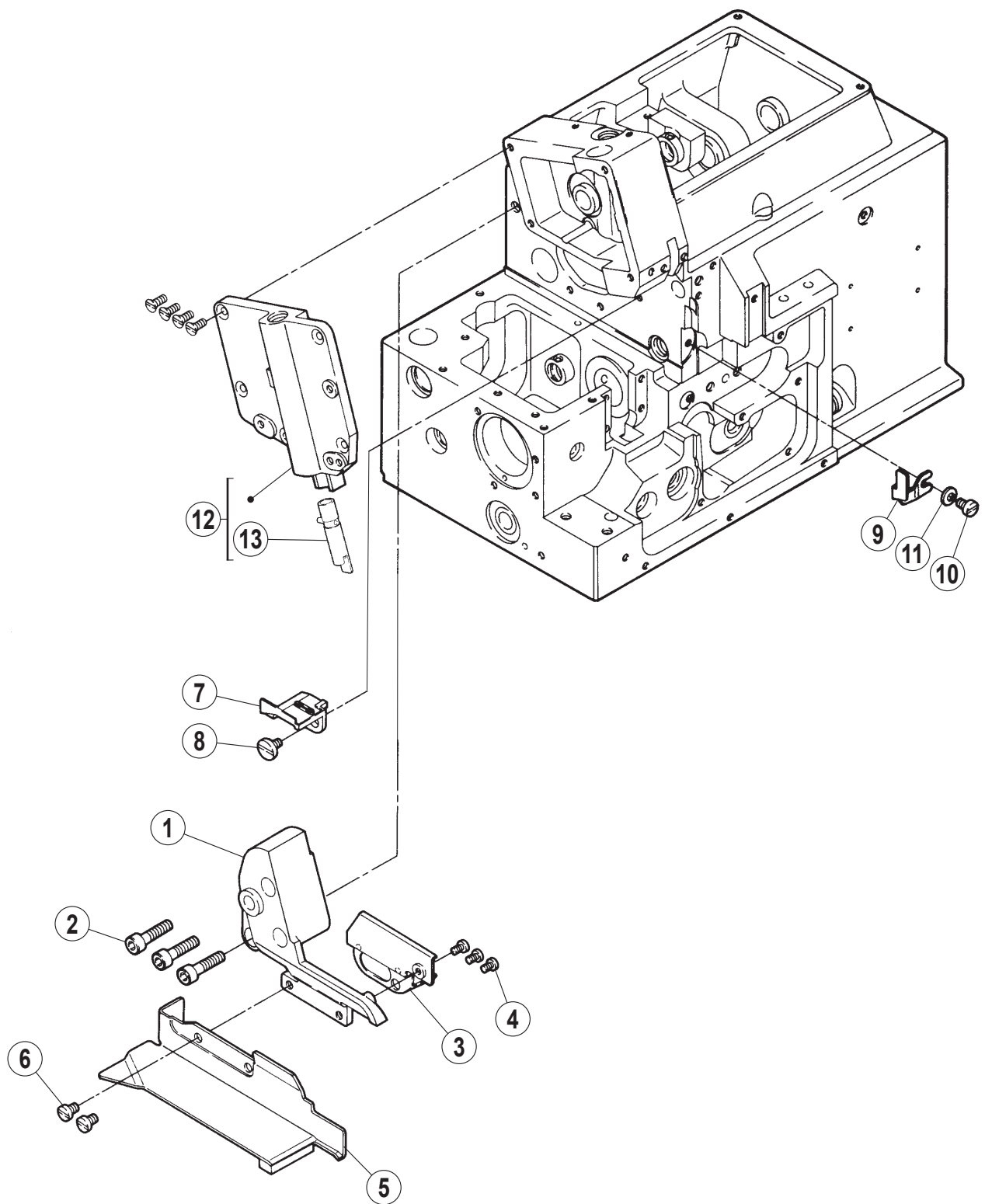


25、上送布机构(3)

TOP FEED MECHANISM(3)

序号 No.	件号 Pars No.	名称	Description	数量 Number
1	10034079	Z-91-103249-05\曲柄	LEVER	1
2	10009616	Z-91-101109-15\M6×0.75×14螺钉	BOLT	1
3	10034087	Z-91-103260-15\挡圈	COLLAR	1
4	10001938	Z-94-173249-15\M6×10螺钉	SCREW	1
5	10034088	Z-91-103261-15\弹簧拉板B	LATCH	1
6	10034125	Z-91-103302-15\弹簧	SPRING	1
7	10034089	Z-91-103262-15\弹簧拉板A	LATCH	1
8	10010595	Z-91-101019-15\M4×7.5螺钉	SCREW	1
9	10034080	Z-91-103253-05\轴	SHAFT	1
10	10009391	Z-91-102104-75-004\1.4×12.20型圈	O RING	1
11	10034081	Z-91-103254-25\调节扳手	LEVER	1
12	10009049	Z-91-101035-15\M4×5螺钉	SCREW	1
13	10009195	Z-91-101687-15\M4×7.80螺钉	SCREW	1
14	10034082	Z-91-103255-15\调节螺母	NUT	1
15	10009562	Z-91-101162-15\螺钉	SCREW	1
16	10009564	Z-91-101159-15\垫圈	SPRING	1
17	10034083	Z-91-103256-25\调节指示板	BLADE GUIDE	1
18	10012089	Z-91-134490-15\M4×25螺钉	SCREW	3
19	10034084	Z-91-103257-15\间隔套	SPACER	3
20	10034085	Z-91-103258-15\止动板	STOPPER	1
21	10003165	Z-11-103036-15\M5×10螺钉	BOLT	2
22	10034086	Z-91-103259-35\螺母	NUT	2
23	10012318	Z-12-305002-15\5垫圈	WASHER	1
24	10009218	Z-91-102148-15\微调螺柱	ADJUSTING BAR	1
25	10009216	Z-91-102149-95\指示标帖	SEAL	1
26	10009205	Z-91-102150-15\微调螺柱限位弹簧	SPRING	1
27	10009203	Z-91-102151-15\微调螺母	PIN	1
28	10003231	Z-12-606006-15\2.5挡圈	RETAINING RING	1

26、外罩/COVER

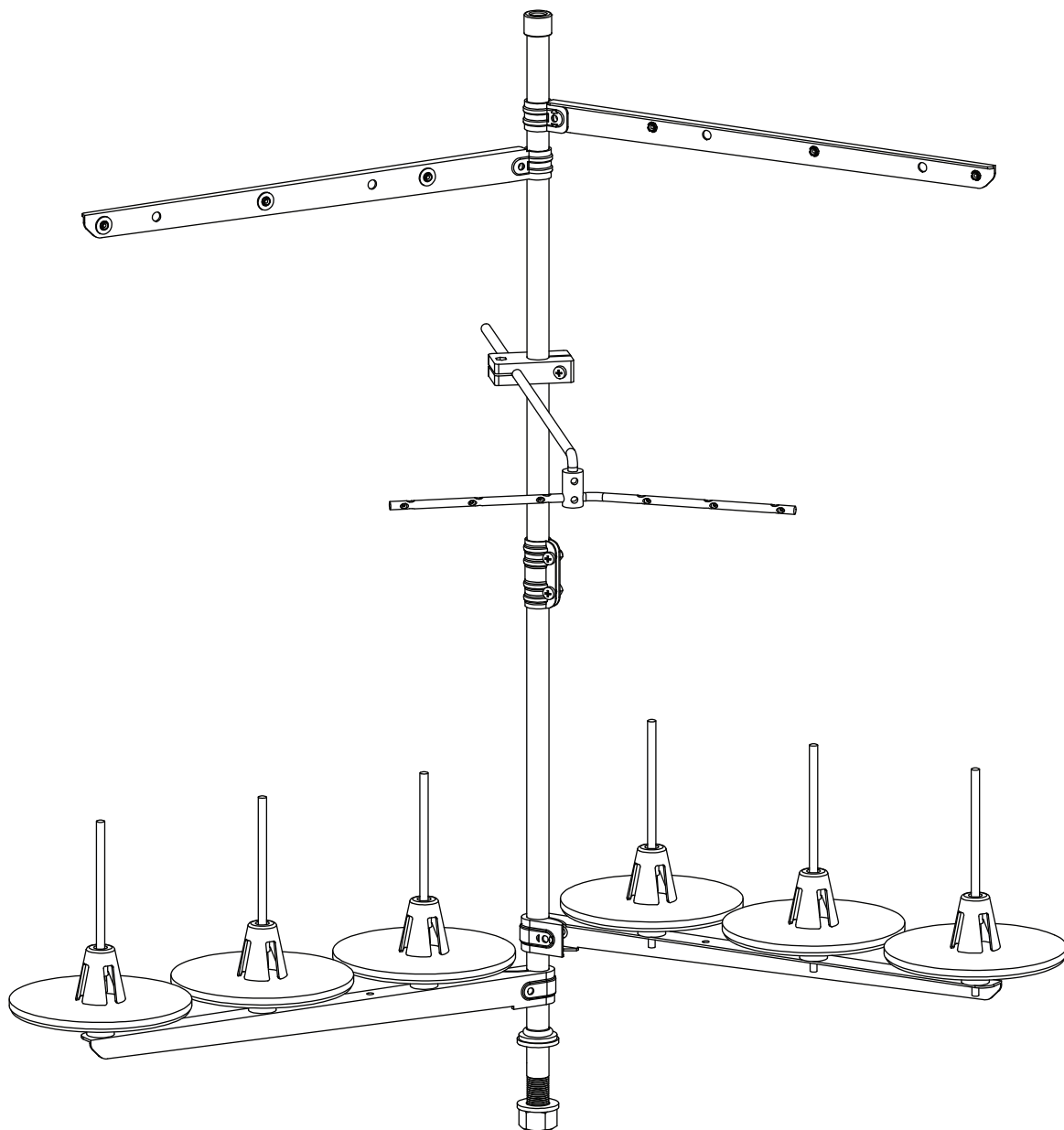


26、外罩

COVER

序号 No.	件号 Pars No.	名称	Description	数量 Number
1	10037439	Z-91-103395-35\支架	BRACKET	1
2	10009171	Z-91-101012-15\M6×25螺钉	BOLT	3
3	10034135	Z-91-103312-15\盖	COVER	1
4	10011545	Z-91-133532-15\M3×3.3螺钉	SCREW	3
5	10034090	Z-91-103263-25\内盖板	FABRIC GUIDE	1
6	10014441	Z-91-131222-15\M4×6螺钉	SCREW	2
7	10035270	Z-91-103388-75-004\挡油罩	COVER	1
8	10010556	Z-91-101439-15\螺钉	SCREW	1
9	10034092	Z-91-103265-15\挡油板	COVER	1
10	10012723	Z-91-131054-15\M4×5螺钉	SDREW	1
11	10009464	Z-91-101372-15\垫圈	SPRING	1
12	20011591	Z-91-103264-75-001\侧盖	SIDE COVER ASSY	1
13	20000664	Z-91-102033-91\压杆组件	PRESSER BAR	1

27、线架/THREAD STAND PARTS

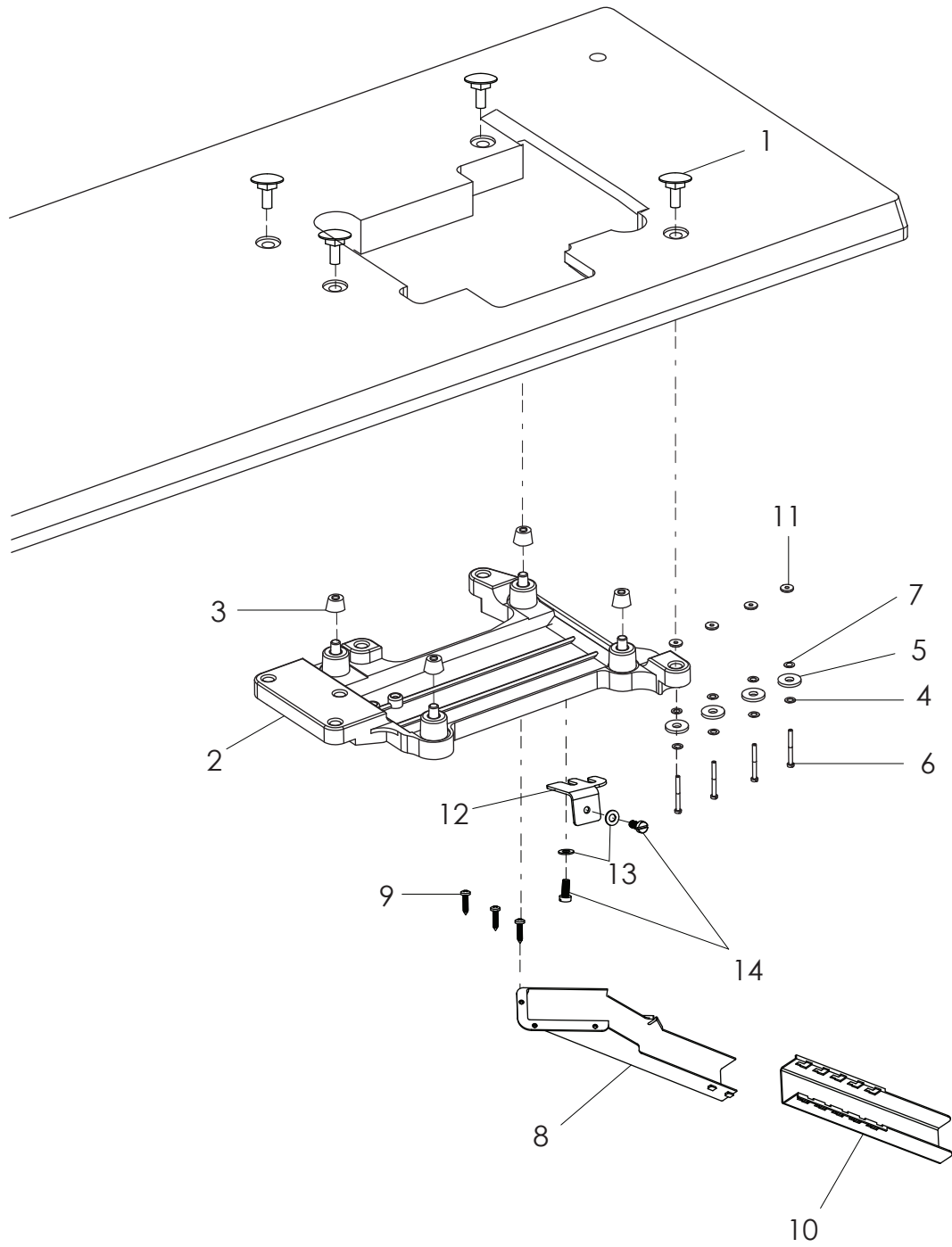


27. 线架

THREAD STAND PARTS

序号 No.	件号 Pars No.	名称	Description	数量 Number
	10007906	四线线架组件	thread stand aggregate	1
1	10004956	五线线架组件	thread stand aggregate	1
	10006347	三线线架组件	thread stand aggregate	1
	10005969	六线线架组件	thread stand aggregate	1

28、油盘托架/OIL TANK BRACKET



28. 油盘托架

OIL TANK BRACKET

序号 No.	件号 Pars No.	名称	Description	数量 Number
1	10009596	螺套	bush with inner thread	4
2	10008969	安装托板	installation plate	1
3	10009510	托盘橡胶垫	washer	4
4	10003331	弹簧垫	spring washer	4
5	10009272	调整垫	adjusting washer	8
6	10003106	螺钉	screw	4
7	10009273	垫圈	washer	4
8	10027625	下料槽上节	upper section of scrap channel	1
9	10004981	螺钉	screw	3
10	10027626	下料槽下节	lower section of scrap channel	1
11	10026758	垫圈	washer	1
12	10028836	连接板	link pale	1
13	10012813	垫圈	washer	2
14	10013938	螺钉	screw	2

MACHINE TYPE /SPEC	ج		ت	ا	ب	د	هـ	ز	ح	ط	ي	ك	ل	م	ن	س	ص	
	NG	SW																
ZJ952T-13H-BD	2	4	10040214	10040216	10039143	10038749	10038749	10039143	10038749	10040214	10040216	10039143	10038749	10038749	10040214	10040216	10039143	10038749
ZJ932T-38-BD	2	4	10038749	10039143	10038749	10038749	10038749	10038749	10038749	10038749	10038749	10038749	10038749	10038749	10038749	10038749	10038749	10038749

MACHINE TYPE /SPEC	ج		ت	ا	ب	د	هـ	ز	ح	ط	ي	ك	ل	م	ن	س	ص	
	NG	SW																
ZJ952T-13H-BD	2	4	10008556	10008604	10009377	10009023	10009340	DCX27 #14	10009340	10009340	10009340	10009340	10009340	10009340	10009340	10009340	10009340	10009340
ZJ932T-38-BD	2	4	10009611	10010866	10009637	10009023	10009284	DCX27 #14	10009284	10009284	10009284	10009284	10009284	10009284	10009284	10009284	10009284	10009284